

### RepLINK - Stainless steel repair clamp Type D, E and F

Repair clamp (double band)



Repair clamp (double band)



ØDE mini (mm)	ØDE maxi (mm)	PFA	Type	Version	Mass (kg)	References
88	110	26 bar	D	3 x L=200 mm	7.20	MRY10BAXHEN
108	128		D	3 x L=200 mm	7.40	MRY11BAXHEN
114	137	22.5 bar	D	3 x L=200 mm	7.40	MRY12BAXHEN
138	160	20 bar	D	3 x L=200 mm	7.60	MRY15BAXHEN
160	182	17 bar	D	3 x L=200 mm	7.70	MRY17BAXHEN
182	202	15.5 bar	D	3 x L=200 mm	8.00	MRY20BAXHEN
202	224	13.5 bar	D	3 x L=200 mm	8.10	MRY22BAXHEN
217	240	12.5 bar	D	3 x L=200 mm	8.10	MRY24BAXHEN
240	262	10.5 bar	D	3 x L=200 mm	8.20	MRY25BAXHEN
262	284	9.5 bar	D	3 x L=200 mm	8.30	MRY28BAXHEN
273	296	9 bar	D	3 x L=200 mm	8.70	MRY29BAXHEN
296	319	8 bar	D	3 x L=200 mm	8.80	MRY30BAXHEN
324	346	6.5 bar	D	3 x L=200 mm	9.10	MRY33BAXHEN
346	368	6 bar	D	3 x L=200 mm	9.10	MRY35BAXHEN
365	387	5.5 bar	D	3 x L=200 mm	9.20	MRY37BAXHEN
387	410	4.5 bar	D	3 x L=200 mm	9.50	MRY40BAXHEN
410	432	4 bar	D	3 x L=200 mm	9.80	MRY42BAXHEN
428	450	3.5 bar	D	3 x L=200 mm	10.00	MRY44BAXHEN
450	474	3 bar	D	3 x L=200 mm	10.00	MRY46BAXHEN

ØDE mini (mm)	ØDE maxi (mm)	PFA	Type	Version	Mass (kg)	References
470	492	2.5 bar	D	3 x L=200 mm	10.00	MRY48BAXHEN
492	516	2.5 bar	D	3 x L=200 mm	10.40	MRY50BAXHEN
88	110		E	4 x L=300 mm	10.80	MRY10BAXHGN
108	128		E	4 x L=300 mm	11.50	MRY11BAXHGN
114	137	22.5 bar	E	4 x L=300 mm	11.50	MRY12BAXHGN
138	160	20 bar	E	4 x L=300 mm	11.70	MRY15BAXHGN
160	182	17 bar	E	4 x L=300 mm	11.70	MRY17BAXHGN
182	202	15.5 bar	E	4 x L=300 mm	12.30	MRY20BAXHGN
202	224	13.5 bar	E	4 x L=300 mm	12.30	MRY22BAXHGN
217	240	12.5 bar	E	4 x L=300 mm	12.40	MRY24BAXHGN
240	262	10.5 bar	E	4 x L=300 mm	12.80	MRY25BAXHGN
262	284	9.5 bar	E	4 x L=300 mm	12.90	MRY28BAXHGN
273	296	9 bar	E	4 x L=300 mm	13.30	MRY29BAXHGN
296	319	8 bar	E	4 x L=300 mm	13.40	MRY30BAXHGN
324	346	6.5 bar	E	4 x L=300 mm	13.60	MRY33BAXHGN
346	368	6 bar	E	4 x L=300 mm	13.80	MRY35BAXHGN
365	387	5.5 bar	E	4 x L=300 mm	14.00	MRY37BAXHGN
387	410	4.5 bar	E	4 x L=300 mm	14.40	MRY40BAXHGN
410	432	4 bar	E	4 x L=300 mm	14.60	MRY42BAXHGN
428	450	3.5 bar	E	4 x L=300 mm	14.80	MRY44BAXHGN
450	474	3 bar	E	4 x L=300 mm	15.60	MRY46BAXHGN
470	492	2.5 bar	E	4 x L=300 mm	15.80	MRY48BAXHGN
492	516	2.5 bar	E	4 x L=300 mm	15.80	MRY50BAXHGN
182	202	15.5 bar	F	7 x L=500 mm	20.80	MRY20BAXHHN
202	224	13.5 bar	F	7 x L=500 mm	21.00	MRY22BAXHHN
217	240	12.5 bar	F	7 x L=500 mm	21.20	MRY24BAXHHN
240	262	10.5 bar	F	7 x L=500 mm	21.70	MRY25BAXHHN
262	284	9.5 bar	F	7 x L=500 mm	22.30	MRY28BAXHHN
273	296	9 bar	F	7 x L=500 mm	22.60	MRY29BAXHHN
296	319	8 bar	F	7 x L=500 mm	23.00	MRY30BAXHHN
324	346	6.5 bar	F	7 x L=500 mm	23.80	MRY33BAXHHN
346	368	6 bar	F	7 x L=500 mm	23.80	MRY35BAXHHN
365	387	5.5 bar	F	7 x L=500 mm	24.30	MRY37BAXHHN
387	410	4.5 bar	F	7 x L=500 mm	25.60	MRY40BAXHHN
410	432	4 bar	F	7 x L=500 mm	26.20	MRY42BAXHHN

ØDE mini (mm)	ØDE maxi (mm)	PFA	Type	Version	Mass (kg)	References
428	450	3.5 bar	F	7 x L=500 mm	26.80	MRY44BAXHHN
450	474	3 bar	F	7 x L=500 mm	27.00	MRY46BAXHHN
470	492	2.5 bar	F	7 x L=500 mm	27.70	MRY48BAXHHN
492	516	2.5 bar	F	7 x L=500 mm	27.80	MRY50BAXHHN

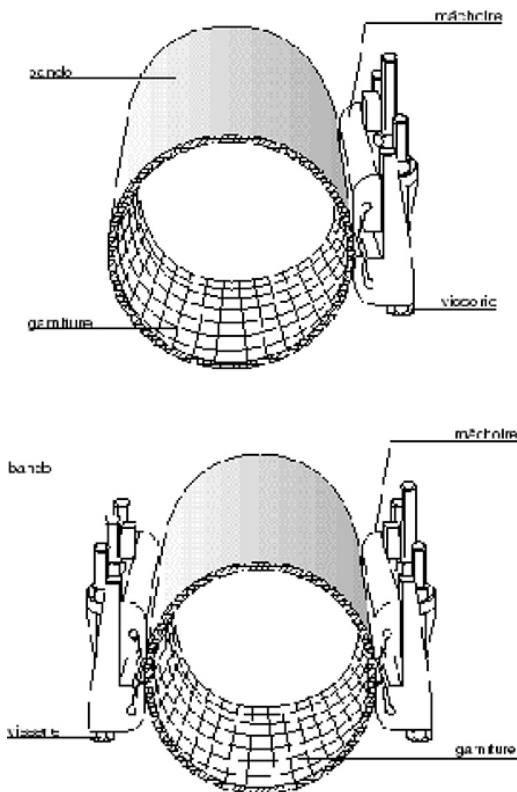
## Field of use

The multi bolts repair clamps are part of the pipelines repair range of PAM NEXUS.

The repair clamps are used for the repair of localized breakages or circumferential breakages on pipelines of every kind of material for drinkable water service.

The longitudinal breakages haven't to be exceeded the 35% of the totally width of the clamp while the circumferential breakages haven't to be, as maximum distance from the braked extremity, upper than 10mm.

## Material and coating



- Belt in stainless steel AISI 304 with a minimum thickness of 0,8 mm and minimum width of 200mm;

- Claps in ductile cast iron GS 500-7UNI EN 1563 coated with blue epoxy powder 250 microns average thickness with a minimum of 200 microns, conforming to EN 14901 (PECB);
- Lock of the plate of the clamp in ductile iron, through a strong stainless steel bar, housed in an appropriate seat;
- Gasket in EPDM APE55N rubber with insert in vulcanized stainless steel AISI 304, thickness of 1,5mm in the area of the closing of the clamp;
- Screws with hexagonal butt with partial thread and hexagonal nut according to UNI 5587, in steel class 6.S, protected with a galvanizing Zn/Fe coating and tropical hexavalent chromium passivation;
- Materials suitable for drinking water.

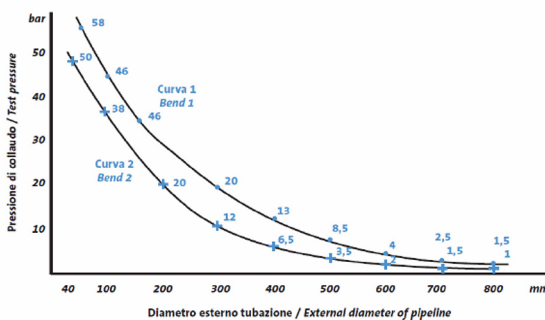
Available upon request:

- Gasket in EPDM suitable for drinking water;
- Bolts in stainless steel.

The ductile iron clamps and their geometrical conformity allow a higher resistance of tightening, thus ensuring a regular distribution of the tensions along the entire width of the collar and therefore guaranteeing an excellent seal reliability over the time.

Part	Material	Coating
Body	Stainless Steel type Z7 CN 18.09	
Gasket	EPDM	
Clamp	Ductile Iron GS	Blue epoxy powder 250 microns average thickness with a minimum of 200 microns, conforming to EN 14901-1 (PECB)
Bolts	Steel class 6.S	Zinc

## Exercise conditions



Concerning the exercise conditions of the clamps, here follow the diagram with the working pressure and the external diameter of the pipeline.

**Curve 1:** value of the test pressure carried out on the pipeline with longitudinal breakage equal to the 35% of the repair clamp belt's width;

**Curve 2:** value of the test pressure carried out on the pipeline with circumferential breakage

**Note:** the pressure values indicated in the diagram are guaranteed for all the clamps installed on the pipeline with roughness similar to the ductile cast iron pipes usually on sale.

## Applicable Standard

### Tests

All products of NEXUS range are manufactured and tested in a factory in compliance with ISO EN9001 and ISO 14000.

Coating tests: thickness test, holiday test, impact test, MIBK test.

### Conformity to Standards

Suitability with potable water in accordance with:

- D.M. 174/ (ex C.M.S. 102 del 2/12/78);
- Foreign regulations: KTW, ACS, WRAS.

## Installation instructions

### Storage

Repair clamps have to be stored in covered places, protected from the sun, rain and all other atmospheric agents. Moreover it has to be avoided that the seal of the same valves comes in contact with dust and dirt.

### Installation

The bolt in the middle, with more length respect to the others, allows an easy mounting of the clamp on the pipeline to be repaired.

Operations to be made during installation:

1. Clean the part of the pipe to be repaired;
2. Put the repair clamp on the cut or the hole;
3. Ensure that the tapered limb of the gasket is not folded on itself in any point, and that it is well extended on the pipe to be repaired; (**Note:** we recommend greasing the tapered limb with soapy water, grease or Vaseline.)
4. Put the opposite terminal of the clamp on the tapered limb;
5. Insert the bolts in their respective position to tighten them manually;
6. Rotate the repair clamp in the direction indicated by the arrow printed on the label (necessary operation for the definitive correct extension of the tapered limb) making sure that the damaged section of the pipe remains under the section of vulcanized plate in the gasket;
7. Tighten the screws uniformly and gradually so that the two stainless steel clamps come together during the tightening, always parallel to each other according to the recommended tightening torque.

**Note:** during this operation make sure that the vulcanized part of the gasket does not strain in order not to compromise the seal.

*The information on this sketch is, to the best of our knowledge correct at the time of printing. However Saint-Gobain are constantly looking at ways of improving their products and services therefore reserve the right to change without prior notice, any of the data shown. Any orders placed will be subject to our Standard Conditions of Sale, available on request.*