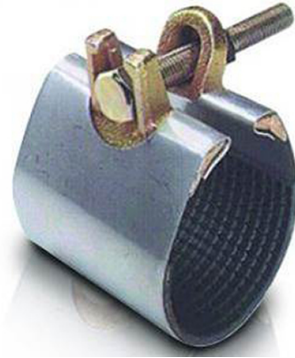


RepLINK - Stainless steel repair clamp Type M

Repair clamp (single band)



ØDE mini (mm)	ØDE maxi (mm)	PFA	Type	Version	Mass (kg)	References
21	25	35 bar	M	1 x L=80 mm	0.23	MRX21AAXHM
26	30	35 bar	M	1 x L=80 mm	0.24	MRX26AAXHM
29	33	35 bar	M	1 x L=80 mm	0.24	MRX29AAXHM
33	37	30 bar	M	1 x L=80 mm	0.25	MRX33AAXHM
38	42	30 bar	M	1 x L=80 mm	0.26	MRX38AAXHM
42	45	25 bar	M	1 x L=80 mm	0.26	MRX42AAXHM
44	48	25 bar	M	1 x L=80 mm	0.26	MRM44AAXXMN
48	51	25 bar	M	1 x L=80 mm	0.27	MRX48AAXHM
50	54	22 bar	M	1 x L=80 mm	0.28	MRM50AAXXMN
55	60	22 bar	M	1 x L=80 mm	0.29	MRM55AAXXMN
60	64	20 bar	M	1 x L=80 mm	0.44	MRX60AAXHM
65	69	20 bar	M	1 x L=80 mm	0.46	MRM65AAXXMN
69	73	20 bar	M	1 x L=80 mm	0.46	MRM69AAXXMN
71	76	18 bar	M	1 x L=80 mm	0.47	MRX71AAXHM
76	82	18 bar	M	1 x L=80 mm	0.48	MRM76AAXXMN
82	87	15 bar	M	1 x L=80 mm	0.50	MRM82AAXXMN
87	93	15 bar	M	1 x L=80 mm	0.50	MRX87AAXHM
94	100	15 bar	M	1 x L=80 mm	0.52	MRM94AAXXMN
99	104	15 bar	M	1 x L=80 mm	0.54	MRM99AAXXMN
105	111	13 bar	M	1 x L=80 mm	0.56	MRN05AAXXMN
112	118	13 bar	M	1 x L=80 mm	0.58	MRY11AAXHM

ØDE mini (mm)	ØDE maxi (mm)	PFA	Type	Version	Mass (kg)	References
120	126	13 bar	M	1 x L=80 mm	0.64	MRN20AAXXMN
126	131	10 bar	M	1 x L=80 mm	0.66	MRN26AAXXMN
131	136	10 bar	M	1 x L=80 mm	0.68	MRN31AAXXMN
139	145	10 bar	M	1 x L=80 mm	0.70	MRN39AAXXMN
156	162	8 bar	M	1 x L=80 mm	0.72	MRN56AAXXMN
167	173	8 bar	M	1 x L=80 mm	0.74	MRN67AAXXMN
173	179	8 bar	M	1 x L=80 mm	0.76	MRN73AAXXMN
217	223	8 bar	M	1 x L=80 mm	0.84	MRP17AAXXMN
223	229	6 bar	M	1 x L=80 mm	0.90	MRP23AAXXMN

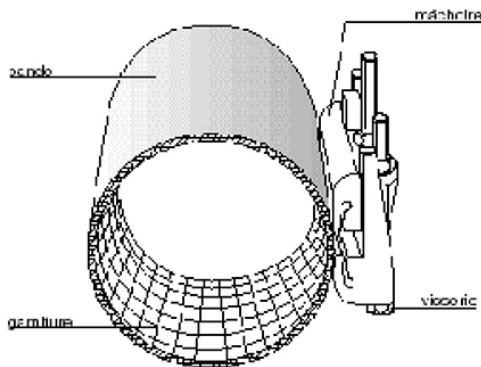
Field of use

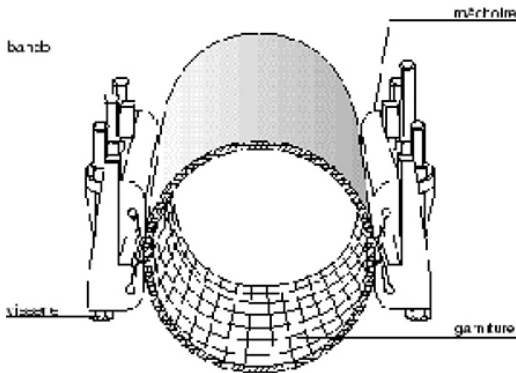
The multi bolts repair clamps are part of the pipelines repair range of PAM NEXUS.

The repair clamps are used for the repair of localized breakages or circumferential breakages on pipelines of every kind of material for drinkable water service.

The longitudinal breakages haven't to be exceeded the 35% of the totally width of the clamp while the circumferential breakages haven't to be, as maximum distance from the braked extremity, upper than 10mm.

Material and coating





- Belt in stainless steel AISI 304 with a minimum thickness of 0,8 mm and minimum width of 200mm;
- Claps in ductile cast iron GS 500-7UNI EN 1563 coated with blue epoxy powder 250 microns average thickness with a minimum of 200 microns, conforming to EN 14901 (PECB);
- Lock of the plate of the clamp in ductile iron, through a strong stainless steel bar, housed in an appropriate seat;
- Gasket in EPDM APE55N rubber with insert in vulcanized stainless steel AISI 304, thickness of 1,5mm in the area of the closing of the clamp;
- Screws with hexagonal butt with partial thread and hexagonal nut according to UNI 5587, in steel class 6.S, protected with a galvanizing Zn/Fe coating and tropical hexavalent chromium passivation;
- Materials suitable for drinking water.

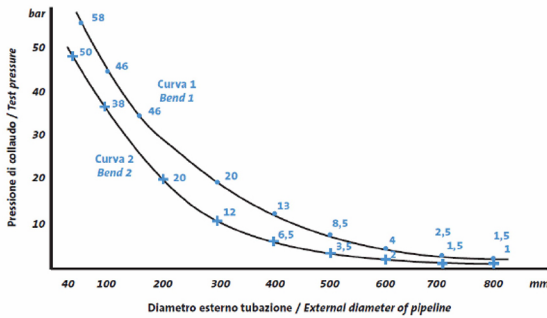
Available upon request:

- Gasket in EPDM suitable for drinking water;
- Bolts in stainless steel.

The ductile iron clamps and their geometrical conformity allow a higher resistance of tightening, thus ensuring a regular distribution of the tensions along the entire width of the collar and therefore guaranteeing an excellent seal reliability over the time.

Part	Material	Coating
Body	Stainless Steel type Z7 CN 18.09	
Gasket	EPDM	
Clamp	Ductile Iron GS	Blue epoxy powder 250 microns average thickness with a minimum of 200 microns, conforming to EN 14901-1 (PECB)
Bolts	Steel class 6.S	Zinc

Exercise conditions



Concerning the exercise conditions of the clamps, here follow the diagram with the working pressure and the external diameter of the pipeline.

Curve 1: value of the test pressure carried out on the pipeline with longitudinal breakage equal to the 35% of the repair clamp belt's width;

Curve 2: value of the test pressure carried out on the pipeline with circumferential breakage

Note: the pressure values indicated in the diagram are guaranteed for all the clamps installed on the pipeline with roughness similar to the ductile cast iron pipes usually on sale.

Applicable Standard

Tests

All products of NEXUS range are manufactured and tested in a factory in compliance with ISO EN9001 and ISO 14000.

Coating tests: thickness test, holiday test, impact test, MIBK test.

Conformity to Standards

Suitability with potable water in accordance with:

- D.M. 174/ (ex C.M.S. 102 del 2/12/78);
- Foreign regulations: KTW, ACS, WRAS.

Installation instructions

Storage

Repair clamps have to be stored in covered places, protected from the sun, rain and all other atmospheric agents. Moreover it has to be avoided that the seal of the same valves comes in contact with dust and dirt.

Installation

The bolt in the middle, with more length respect to the others, allows an easy mounting of the clamp on the pipeline to be repaired.

Operations to be made during installation:

1. Clean the part of the pipe to be repaired;
2. Put the repair clamp on the cut or the hole;
3. Ensure that the tapered limb of the gasket is not folded on itself in any point, and that it is well extended on the pipe to be repaired; (**Note:** we recommend greasing the tapered limb with soapy water, grease or Vaseline.)
4. Put the opposite terminal of the clamp on the tapered limb;
5. Insert the bolts in their respective position to tighten them manually;
6. Rotate the repair clamp in the direction indicated by the arrow printed on the label (necessary operation for the definitive correct extension of the tapered limb) making sure that the damaged section of the pipe remains under the section of vulcanized plate in the gasket;
7. Tighten the screws uniformly and gradually so that the two stainless steel clamps come together during the tightening, always parallel to each other according to the recommended tightening torque.

Note: during this operation make sure that the vulcanized part of the gasket does not strain in order not to compromise the seal.

The information on this sketch is, to the best of our knowledge correct at the time of printing. However Saint-Gobain are constantly looking at ways of improving their products and services therefore reserve the right to change without prior notice, any of the data shown. Any orders placed will be subject to our Standard Conditions of Sale, available on request.