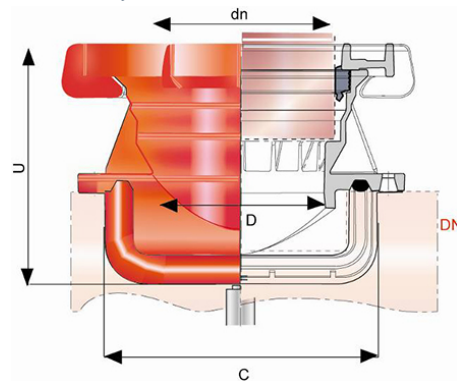


## Saddle Branch on INTEGRAL pipes

For ductile iron junction



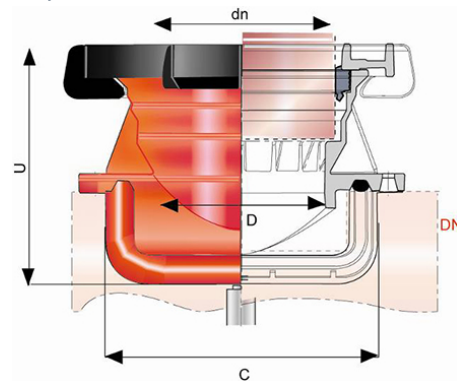
For ductile iron junction



For PVC junction



For PVC junction



DN connector	Ødn (mm)	C (mm)	D (mm)	U (mm)	Type	Mass (kg)	References
200	150	246	150	193	Ductile iron junction	3.71	TJB20PMOJ
200	160	246	150	193	PVC junction	3.75	TJB20PMOX

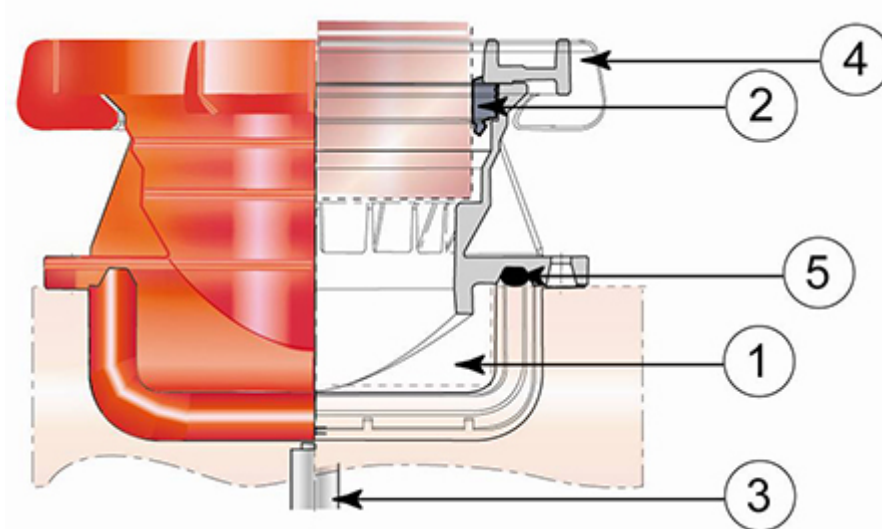
### Field of use:

- Separate sewer system
- Application: gravity flow
- Type of effluent: wastewater
- Lastingly leak tight and impermeable
- Laying in all types of soils
- For effluents between pH1 and pH13

## Main characteristics:

- IM Gasket in Nitrile
- Fittings and joints are supplied in red-brown polyethylene bag
- Tested according to the functional requirements of EN 598
- Designed according to the normative and regulatory texts:
  - NF EN 476: general prescriptions for components used in the networks
  - NF EN 752: Conception of sewage projects
  - NF EN 1610: Reception of the works
  - CCTG: Fascicule 70 (sewage work)

## Material and coating:



Item	Designation	Material
1	Body	Organic material reinforced with fiberglass
2	IM seal	Nitrile rubber
3	Stirrup	Galvanised steel + red epoxy
4	Centering ring	Organic material reinforced with fiberglass
5	O ring DN14	Nitrile rubber

**Important :**

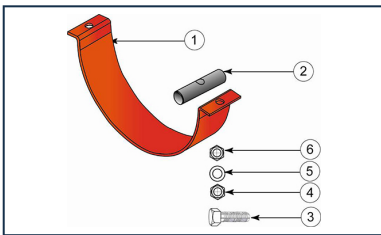
To guarantee the sealing of 2 bars according to the standard EN 598, it is imperative to use the assembly with the clamp with round cutting.

**Note:** on INTEGRAL pipes, please realize a rectangular cutting.

According to the cutting angle of the slicer, while following the provided gauge of cutting, it is possible that the cement thickness reduces the opening width necessary to have a good sealing. This opening must be measured and does not be lower than 170mm; otherwise, it will be necessary to break the cement to reach the good dimension.

**Reminder:** on BIOGAN pipes or on INTEGRAL pipes, the saddle must be in contact with the pipe after tightening in order to have a good sealing.

## Accessories



Fixing Stirrup for Saddle branch

## Linked products



IM Seal for gravity fittings

*The information on this sketch is, to the best of our knowledge correct at the time of printing. However Saint-Gobain are constantly looking at ways of improving their products and services therefore reserve the right to change without prior notice, any of the data shown. Any orders placed will be subject to our Standard Conditions of Sale, available on request.*