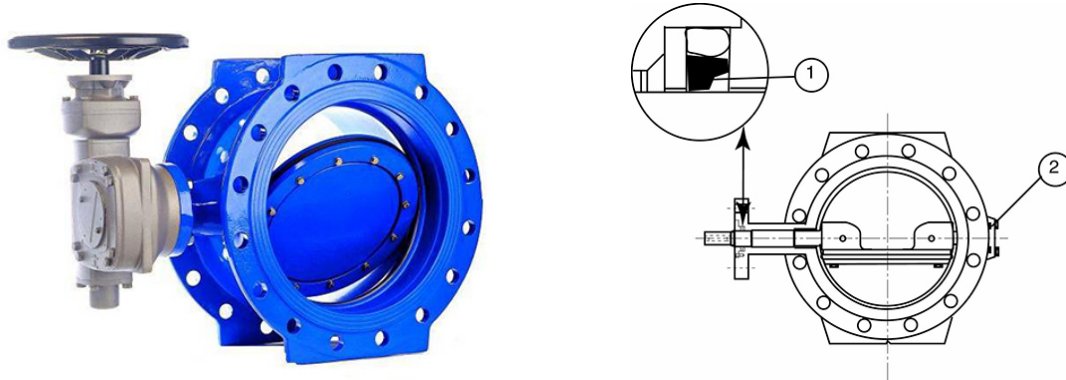


Shaft sealing kit

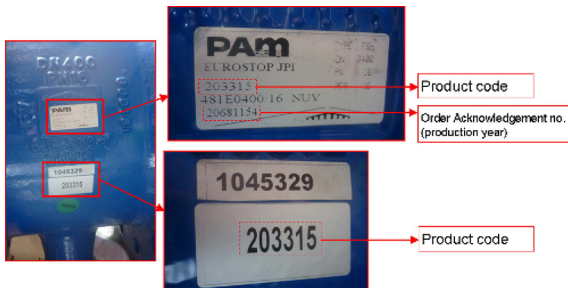


Suitable for all construction types.

DN (mm)	Mass (kg)	References
150	0.01	202492
200	0.05	162396
350	0.10	166614
400	0.10	162346
600	0.15	162347
700	0.04	202493
900	0.04	202494
900	0.30	162353
900	0.20	202495
1600	0.08	202496
1800	0.12	202497
2000	0.30	202498
2000	0.30	202499

This kit includes:

- Item 1: 1 sealing gasket
- Item 2: 3 O-rings Only 2 O-rings (item 2) are necessary for the valves manufactured after July 2001.



The technological evolution in the years of EUROSTOP Butterfly Valve made by Saint-Gobain PAM Product Development has determined the changes on secondary sealing system.

To identify the correct code of the shaft sealing kit is therefore necessary to know the code of the valve and its year of production in order to be able to make a proper supply of spare parts.

Normally the components of shaft sealing kit are: Lubroseal sealing element and/or O-Ring.

Identification spare kit codes

For correct identification and ordering of spare kits it has to be provided the code of the spare kit or the product code of valve and its year of production which can be found on labels and body.

The product code identifies the main characteristics of the valve (DN / PN, actuation type, application type, etc.).

The Order Acknowledgement no. identifies the valve production year.

With the above mentioned information Saint-Gobain PAM Technical Department checks/identifies the correct codes of spare kits.

The information on this sketch is, to the best of our knowledge correct at the time of printing. However Saint-Gobain are constantly looking at ways of improving their products and services therefore reserve the right to change without prior notice, any of the data shown. Any orders placed will be subject to our Standard Conditions of Sale, available on request.