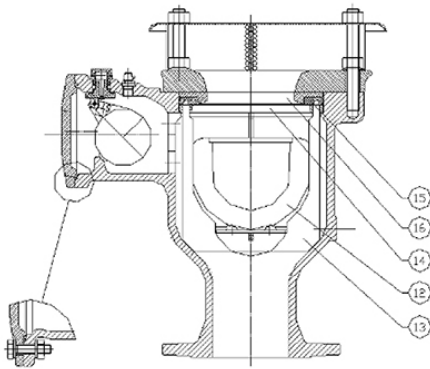


### Spare kits for air valves type 4000D, 6000D, 9000D + purgex type 100



Type	DN (mm)	Mass (kg)	References
Small (degassing) orifice kit		1.00	204136
Small (degassing) orifice kit		1.00	204137
Large orifice kit	50/60/65	1.60	202863
Large orifice kit	80	1.40	202862
Large orifice kit	100/150	1.30	202861

### Large orifice kit



Item	Description	Material
12	Float	ABS
13	Float guides	ABS

Item	Description	Material
14	Guide ring	ABS
15	Basket sea	ABS
16	Gasket	EPDM

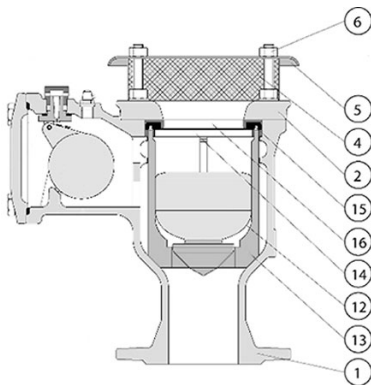
This kit can be used both for double function and triple function air valves.

### How to order a kit ?

It is necessary to specify the kit code or the air valve code

DN	References
50/60/65	202863
80	202862
100/150	202861

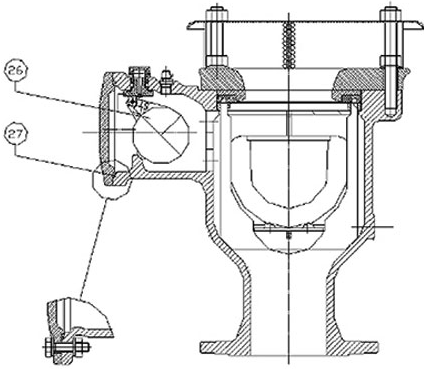
## Assembly instructions



Apply the following steps:

- Stop the flow with the isolating valve
- Unscrew the external screw (6)
- Remove the upper cover (5) and the protecting grid (4)
- Remove the upper flange (2)
- It's now possible to replace all the floater and gasket assembly (12-13-14-15-16)
- Clean up the incrustations and dirt from all the internal surfaces
- Put in place the upper flange (2), the grid (4), and the cover (5) and tighten the external screws (6)
- Open the flow

## Small (degassing) orifice kit



Item	Description	Material
26	Float assembly	ABS
27	Gasket	EPDM

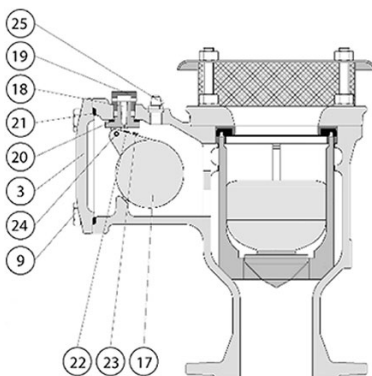
This kit can be used both for double function and triple function air valves.

### How to order a kit ?

It is necessary to specify the kit code or the air valve code.

PFA	References
10/16	204136
25	204137

## Assembly instructions



Apply the following steps:

- Stop the flow with the isolating valve
- Unscrew the external screw (9)
- Remove the cover (3) and the gasket (21)
- It's now possible to replace the floater assembly (18-18-19-20-22-23-24) unscrewing the nut (19)
- Clean up the incrustations and dirt from all the internal surfaces
- Put in place the new gasket (21), the cover (3), and tighten the external screws (9)
- Open the flow

The instructions above refer to a triple function air valve. For a single function valve the steps are the same, the only change being the fact that the cover is above the valve and not on the side.

*The information on this sketch is, to the best of our knowledge correct at the time of printing. However Saint-Gobain are constantly looking at ways of improving their products and services therefore reserve the right to change without prior notice, any of the data shown. Any orders placed will be subject to our Standard Conditions of Sale, available on request.*