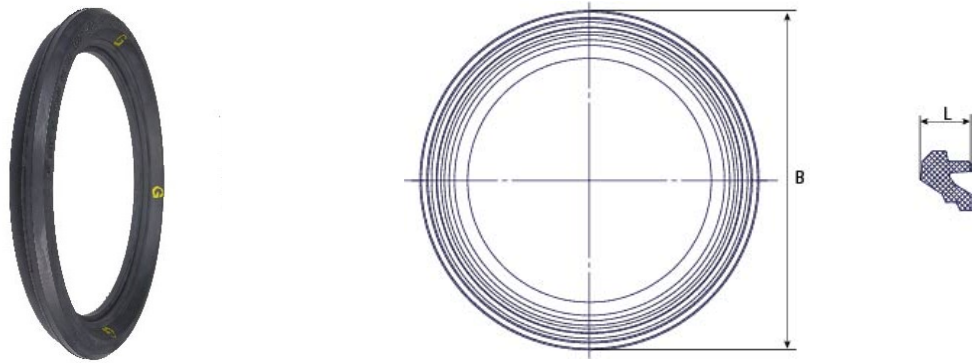


Standard G Gasket (STD G) for BIOGAN pipes and fittings DN150-200



DN (mm)	Ø outside B (mm)	Joint width L (mm)	Mass (kg)	References
150	206.4	24.4	0.26	JSB15BG
200	260.1	24.4	0.34	JSB20BG

Field of use:

- For gravity sewage and under pressure networks
- Domestic wastewater and raw water
- Application: gravity flow
- Watertight to:
 - Internal pressure of 0.5 bar continuously
 - Internal pressure of 2 bar occasionally
 - External pressure of 1 bar continuously

Main characteristics:

- STD G joints are in conformity with EN 598
- Elastomer type WG according to EN 681-1
- Joint STD G: quality NBR
- Designed in accordance with applicable regulations:
 - NF EN 476: general stipulations regarding components used in systems
 - NF EN 752: design of sewerage projects
 - NF EN 1610: acceptance of structures
 - CCTG: Fascicule 70 (sewage work)

The information on this sketch is, to the best of our knowledge correct at the time of printing. However Saint-Gobain are constantly looking at ways of improving their products and services therefore reserve the right to change without prior notice, any of the data shown. Any orders placed will be subject to our Standard Conditions of Sale, available on request.