

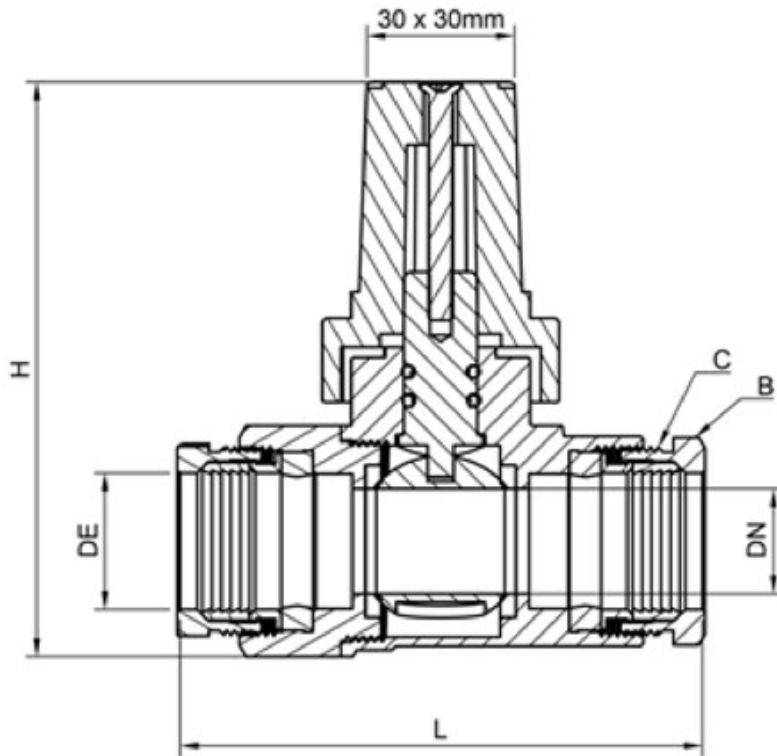
Stop Ferrule NEXUS-STOP



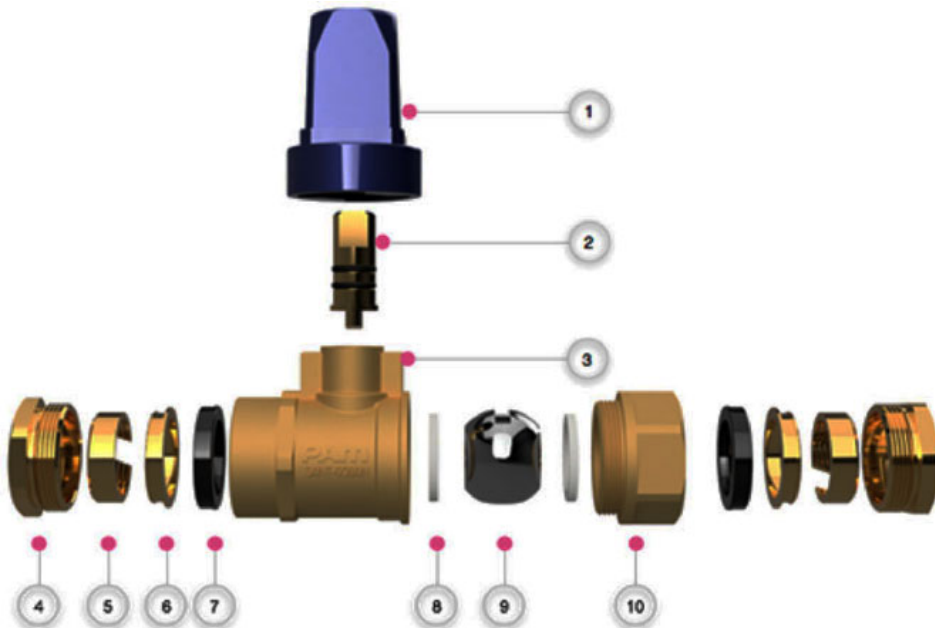
ACC = Blue cap - CC = Black cap

DN	DN/OD	Closing direction	B (mm)	C	H (mm)	L (mm)	Mass (kg)	References
20	25	Anti-Clockwise	36	M36 X 1.5	109	98	0.81	RAF320ARAR
32	40	Anti-Clockwise	57	M55 X 2.3	128	129	1.62	RAF332ARAR
40	50	Clockwise	66	M64 X 2.3	139	148	2.16	RAF340SRAR

(*) please contact us



Material and coating



Last Update 08/06/2026
Visit website for latest version

Item	Designation	Material	Coating
1	Operating cap	Ductile Cast Iron GS 400-15	Epoxy powder 60 microns mini (ACC: blue - CC: black)
2	Stem	Brass	
3	Body	Brass	
4	Nut	Brass	
5	Split ring	Brass	
6	Ring	Brass	
7	Gasket	Nitrile NBR	
8	Ring	PTFE	
9	Ball	Brass	Chrome plated
10	Nut	Brass	

Packing

DN	Box	PCS/paperboard box	Pallet Case	PCS/pallet case
20	39 x 30 x 20 cm	21 pcs	120 x 95 x 100 cm	1512 pcs
25	39 x 30 x 20 cm	12 pcs	120 x 95 x 100 cm	864 pcs
32	39 x 30 x 20 cm	10 pcs	120 x 95 x 100 cm	720 pcs
40	39 x 30 x 20 cm	12 pcs	120 x 95 x 100 cm	864 pcs

The information on this sketch is, to the best of our knowledge correct at the time of printing. However Saint-Gobain are constantly looking at ways of improving their products and services therefore reserve the right to change without prior notice, any of the data shown. Any orders placed will be subject to our Standard Conditions of Sale, available on request.