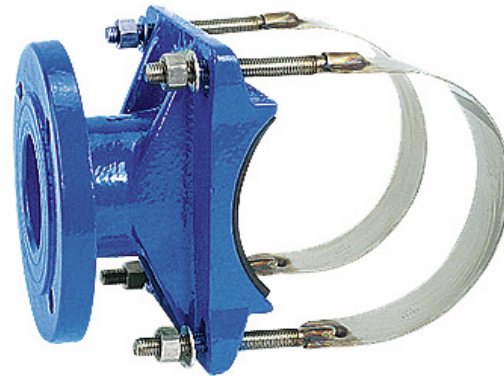


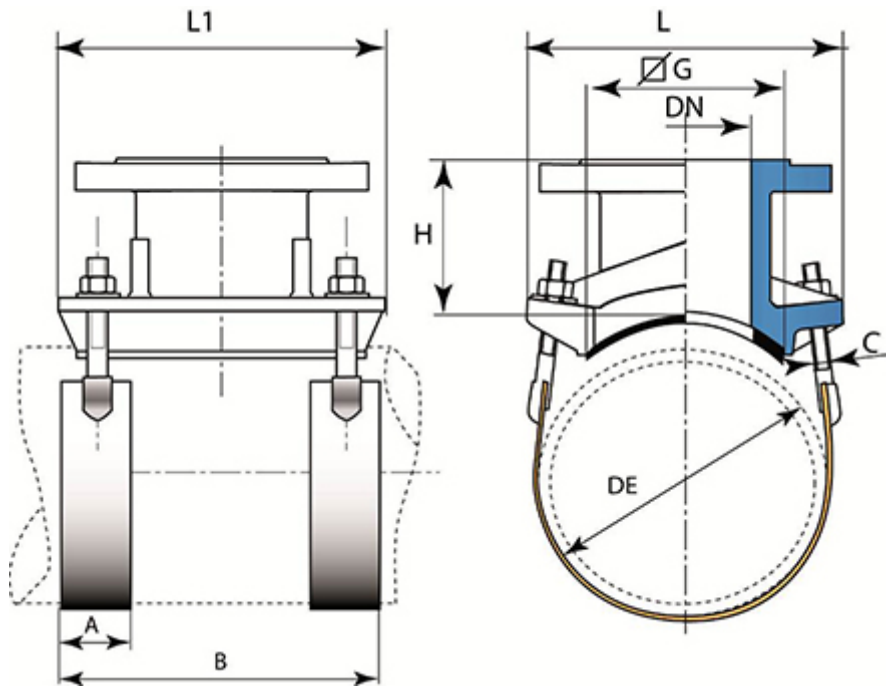
Tapping saddles flanged outlet for ductile iron and steel pipes



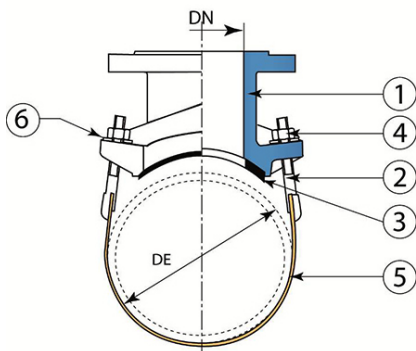
Tapping saddles flanged outlet for ductile iron and steel pipes are in conformity with EN545-2010.

DN (mm)	Version	ØDE mini (mm)	ØDE maxi (mm)	A (mm)	B (mm)	C	G (mm)	H (mm)	L (mm)	L1 (mm)	Mass (kg)	References
150	Flanged Outlet DN80	168	184	50	188	M14	136	116	224	178	12.60	RSB15ESAD
150	Flanged Outlet DN100	168	184	50	188	M14	136	116	224	178	13.00	RSB15ETAD
200	Flanged Outlet DN80	218	246	50	188	M14	150	116	238	178	13.10	RSB20ESAD
200	Flanged Outlet DN100	218	246	50	188	M14	150	116	238	178	13.40	RSB20ETAD
250	Flanged Outlet DN80	272	278	50	188	M14	150	126	236	178	15.00	RSB25ESAD
250	Flanged Outlet DN100	272	278	50	188	M14	150	126	236	178	15.00	RSB25ETAD
300	Flanged Outlet DN80	322	355	50	188	M14	150	128	284	180	15.50	RSB30ESAD
300	Flanged Outlet DN100	322	355	50	188	M14	150	128	284	180	16.00	RSB30ETAD
350	Flanged Outlet DN80	356	414	50	188	M14	150	134	326	180	18.50	RSB35ESAD
350	Flanged Outlet DN100	356	414	50	188	M14	150	134	326	180	19.00	RSB35ETAD
400	Flanged Outlet DN80	406	460	50	188	M14	150	134	326	180	18.50	RSB40ESAD

DN (mm)	Version	ØDE mini (mm)	ØDE maxi (mm)	A (mm)	B (mm)	C	G (mm)	H (mm)	L (mm)	L1 (mm)	Mass (kg)	References
400	Flanged Outlet DN100	406	460	50	188	M14	150	134	326	180	19.00	RSB40ETAD



Materials and coatings



Item	Designation	Material	Coating
1	Flanged Body	Ductile iron	Epoxy 250 µm

Item	Designation	Material	Coating
2	Screw	Stainless steel type304	
3	Seal pipe / saddle	EPDM Rubber	
4	Nut	Stainless steel type304	
5	Band	Stainless steel type304	Passivated
6	Washer	Stainless steel type304	

The information on this sketch is, to the best of our knowledge correct at the time of printing. However Saint-Gobain are constantly looking at ways of improving their products and services therefore reserve the right to change without prior notice, any of the data shown. Any orders placed will be subject to our Standard Conditions of Sale, available on request.