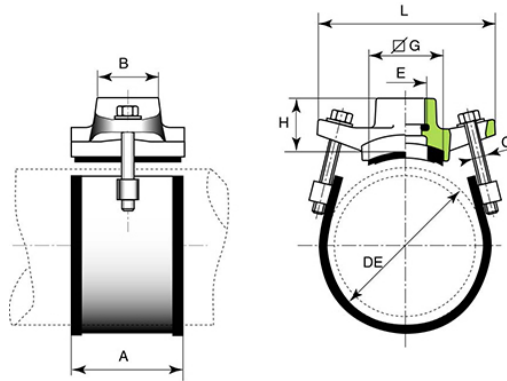


Tapping saddles MPE GAS threaded outlet 1"1/2

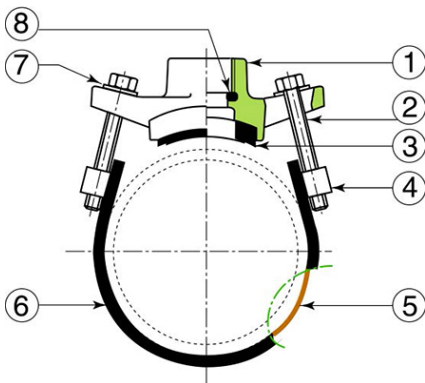


Tapping saddles MPE are in conformity with EN545-2010.

DN/OD	ØDE maxi (mm)	ØDE mini (mm)	A (mm)	B (mm)	H (mm)	L (mm)	Mass (kg)	References
63	67	60	50	68	27	126	1.30	175756
90	100	88	80	63	40	160	2.00	182845
110	122	110	80	63	50	170	2.30	182851
125	137	125	80	63	50	170	2.40	175755
140	150	139	80	63	53	182	2.60	182875
160	172	160	80	63	53	182	2.40	182882
180	192	180	80	63	53	182	2.50	175752
200	220	200	80	63	60	215	2.90	182906
225	234	222	80	63	60	215	3.10	175751
250	275	250	80	85	85	235	6.40	182993
315	336	315	80	85	85	260	3.40	175740



Materials and coating



Item	Designation	Material	Coating
1	Body	Ductile iron	Epoxy 250 µm
2	Screw	Stainless steel type 304	
3	Seal pipe / saddle	EPDM Rubber	
4	Nut	Stainless steel type 304	Passivated
5	Bande	Stainless steel type 304	Passivated
6	Rubber / bande	EPM/TN Rubber	
7	Wash	Stainless steel type 304	
8	Nozzle joint for stop valve	EPDM Rubber	

The information on this sketch is, to the best of our knowledge correct at the time of printing. However Saint-Gobain are constantly looking at ways of improving their products and services therefore reserve the right to change without prior notice, any of the data shown. Any orders placed will be subject to our Standard Conditions of Sale, available on request.