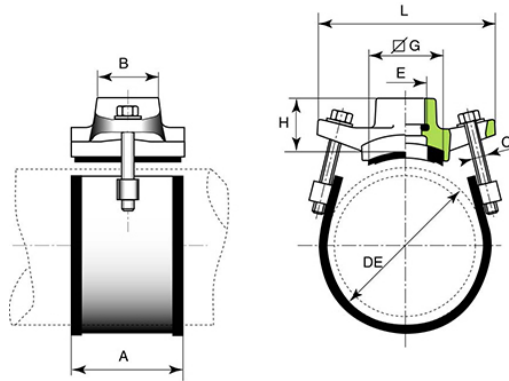


Tapping saddles MPE GAS threaded outlet 2"

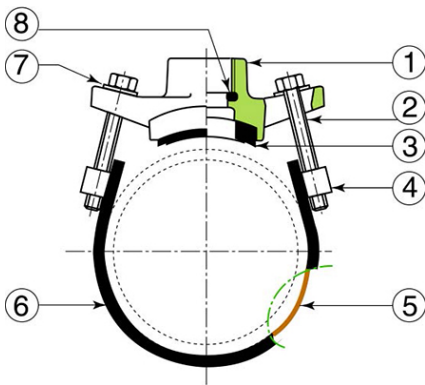


Tapping saddles MPE are in conformity with EN545-2010.

DN/OD	ØDE maxi (mm)	ØDE mini (mm)	A (mm)	B (mm)	H (mm)	L (mm)	Mass (kg)	References
90	100	88	80	73	45	170	2.00	182846
110	122	110	80	73	49	170	2.30	182852
125	137	125	80	73	49	170	2.30	182853
140	150	139	80	73	57	186	2.60	183313
160	172	160	80	73	57	186	3.50	182873
180	192	180	80	73	57	186	2.90	182885
200	220	200	80	75	62	215	3.50	182904
225	234	222	80	75	62	215	3.50	182907
250	275	250	80	85	85	235	6.10	182994
315	336	315	80	85	85	260	5.50	RSM31CGAC



Materials and coating



Item	Designation	Material	Coating
1	Body	Ductile iron	Epoxy 250 µm
2	Screw	Stainless steel type 304	
3	Seal pipe / saddle	EPDM Rubber	
4	Nut	Stainless steel type 304	Passivated
5	Bande	Stainless steel type 304	Passivated
6	Rubber / bande	EPM/TN Rubber	
7	Wash	Stainless steel type 304	
8	Nozzle joint for stop valve	EPDM Rubber	

The information on this sketch is, to the best of our knowledge correct at the time of printing. However Saint-Gobain are constantly looking at ways of improving their products and services therefore reserve the right to change without prior notice, any of the data shown. Any orders placed will be subject to our Standard Conditions of Sale, available on request.