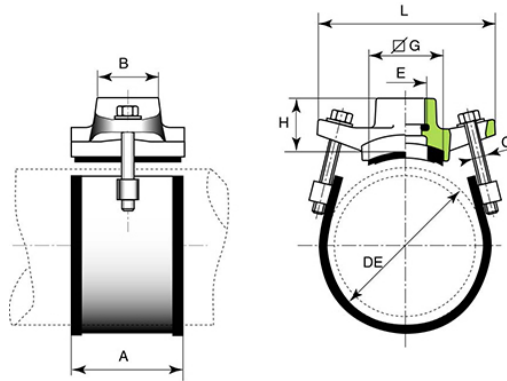


## Tapping saddles MPE GAS threaded outlet 3/4"

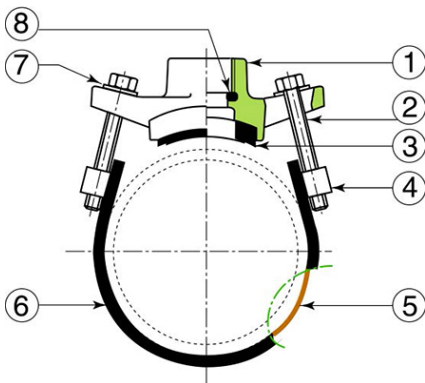


Tapping saddles MPE are in conformity with EN545-2010.

DN/OD	ØDE maxi (mm)	ØDE mini (mm)	A (mm)	B (mm)	H (mm)	L (mm)	Mass (kg)	References
63	67	60	50	68	27	126	1.00	182834
75	83	75	50	63	39	137	1.80	RSL75CCAC
90	100	88	80	49	45	160	1.80	182842
110	122	110	80	49	55	158	2.10	182849
125	137	125	80	49	55	158	2.30	175757
140	150	139	80	50	50	176	2.20	182874
160	172	160	80	50	50	176	2.70	RSM16CCAC
180	192	180	80	50	50	176	2.70	175758
200	220	200	80	50	60	215	3.00	RSM20CCAC
225	234	222	80	50	60	215	4.30	RSM22CCAC



## Materials and coating



Item	Designation	Material	Coating
1	Body	Ductile iron	Epoxy 250 µm
2	Screw	Stainless steel type 304	
3	Seal pipe / saddle	EPDM Rubber	
4	Nut	Stainless steel type 304	Passivated
5	Bande	Stainless steel type 304	Passivated
6	Rubber / bande	EPM/TN Rubber	
7	Wash	Stainless steel type 304	
8	Nozzle joint for stop valve	EPDM Rubber	

*The information on this sketch is, to the best of our knowledge correct at the time of printing. However Saint-Gobain are constantly looking at ways of improving their products and services therefore reserve the right to change without prior notice, any of the data shown. Any orders placed will be subject to our Standard Conditions of Sale, available on request.*