

Tapping saddles MPE metric threaded outlet



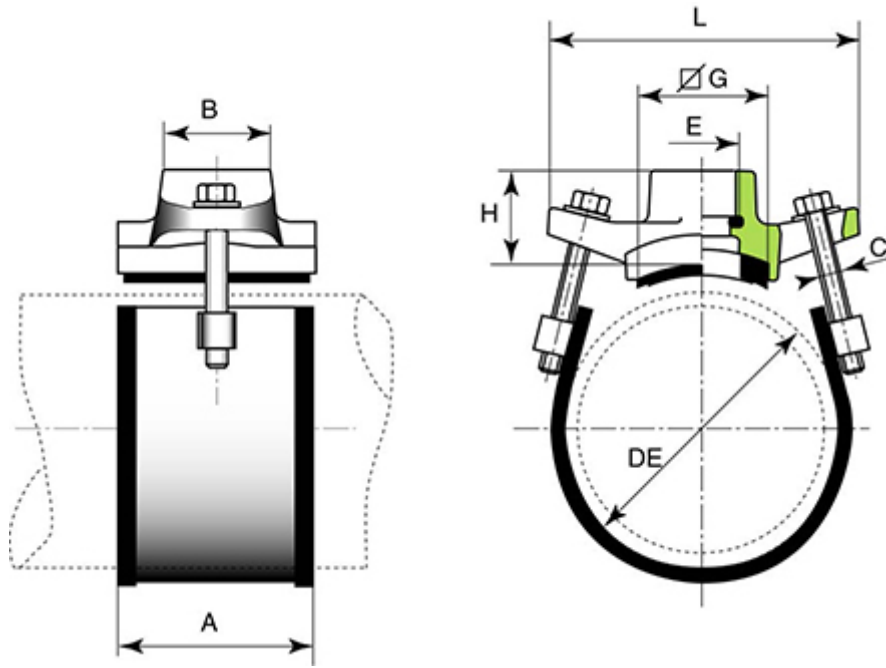
Tapping saddles MPE are in conformity with EN545-2010.

DN/OD (mm)	ØDE mini (mm)	ØDE maxi (mm)	Threaded	Mass (kg)	References
75	75	83	M40	1.80	*
90	88	100	M40	2.00	*
110	110	122	M40	2.40	RSM11CPAB
125	125	137	M40	2.40	RSM12CPAB
140	139	150	M40	2.60	RSM14CPAB
160	160	172	M40	2.70	RSM16CPAB
180	180	192	M40	2.80	RSM18CPAB
200	200	220	M40	3.10	RSB20CPAB
225	222	234	M40	3.10	RSB22CPAB
90	88	100	M55	2.20	RSL90CQAB
110	110	122	M55	2.30	RSM11CQAB
125	125	137	M55	2.30	RSM12CQAB
140	139	150	M55	2.70	RSM14CQAB
160	160	172	M55	2.80	RSM16CQAB
180	180	192	M55	2.90	RSM18CQAB
200	200	220	M55	3.50	RSB20CQAB
225	222	234	M55	3.50	RSB22CQAB
250	250	275	M55	6.10	RSB25CQAB

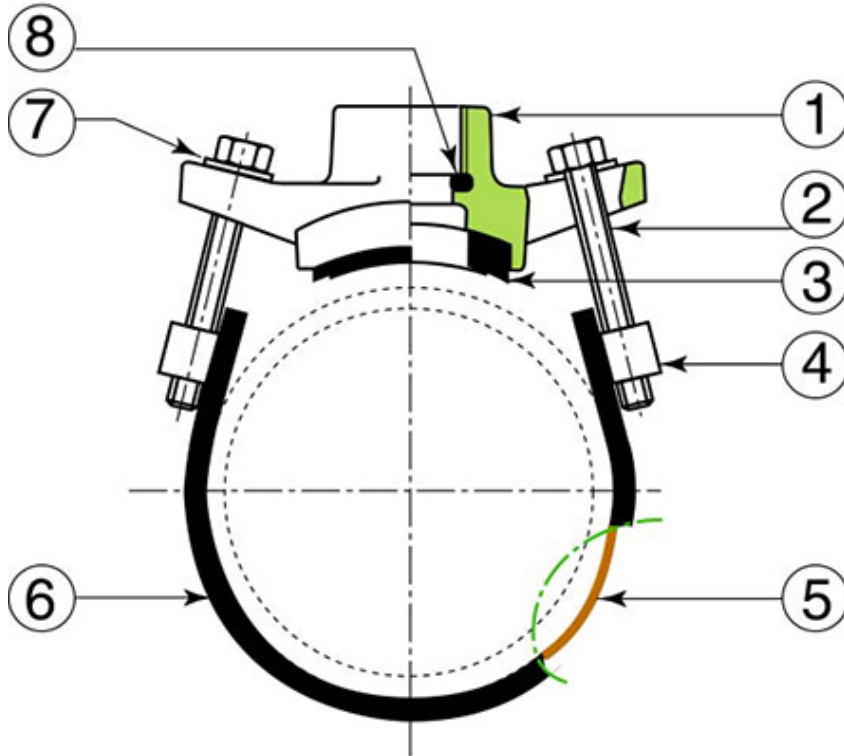
DN/OD (mm)	ØDE mini (mm)	ØDE maxi (mm)	Threaded	Mass (kg)	References
315	315	336	M55	6.80	RSM31CQAB

DE = External diameter for pipe PE / PVC - (*) Consult us

DN/OD	A	B	C	G	H	L
75 mm	58 mm	63 mm	M12	68 mm	44 mm	139 mm
90 mm	88 mm	63 mm	M12	88 mm	43 mm	162 mm
110 mm	88 mm	63 mm	M12	80 mm	50 mm	172 mm
125 mm	88 mm	63 mm	M12	80 mm	50 mm	172 mm
140 mm	88 mm	63 mm	M12	80x82 mm	55 mm	184 mm
160 mm	88 mm	63 mm	M12	80x82 mm	55 mm	184 mm
180 mm	88 mm	63 mm	M12	80x82 mm	55 mm	184 mm
200 mm	88 mm	63 mm	M12	80x90 mm	60 mm	216 mm
225 mm	88 mm	63 mm	M12	80x90 mm	60 mm	216 mm
90 mm	88 mm	73 mm	M12	84x92 mm	45 mm	172 mm
110 mm	88 mm	73 mm	M12	88 mm	49 mm	172 mm
125 mm	88 mm	73 mm	M12	88 mm	49 mm	172 mm
140 mm	88 mm	73 mm	M12	88 mm	57 mm	188 mm
160 mm	88 mm	73 mm	M12	88 mm	57 mm	188 mm
180 mm	88 mm	73 mm	M12	88 mm	57 mm	188 mm
200 mm	88 mm	75 mm	M12	88 mm	62 mm	216 mm
225 mm	88 mm	75 mm	M12	88 mm	62 mm	216 mm
250 mm	88 mm	85x85 mm	M12	125 mm	58 mm	238 mm
315 mm	88 mm	85x85 mm	M12	125 mm	58 mm	260 mm



Material and coating



Item	Designation	Material	Coating
1	Body	Ductile iron	Epoxy 250 µm
2	Screw	Stainless steel type 304	
3	Seal pipe / saddle	EPDM Rubber	
4	Nut	Stainless steel type 304	Passivated
5	Bande	Stainless steel type 304	Passivated
6	Rubber / bande	EPM/TN Rubber	
7	Wash	Stainless steel type 304	
8	Nozzle joint for stop valve	EPDM Rubber	

The information on this sketch is, to the best of our knowledge correct at the time of printing. However Saint-Gobain are constantly looking at ways of improving their products and services therefore reserve the right to change without prior notice, any of the data shown. Any orders placed will be subject to our Standard Conditions of Sale, available on request.