

## Tapping saddles MPE metric threaded outlet and fixing screw

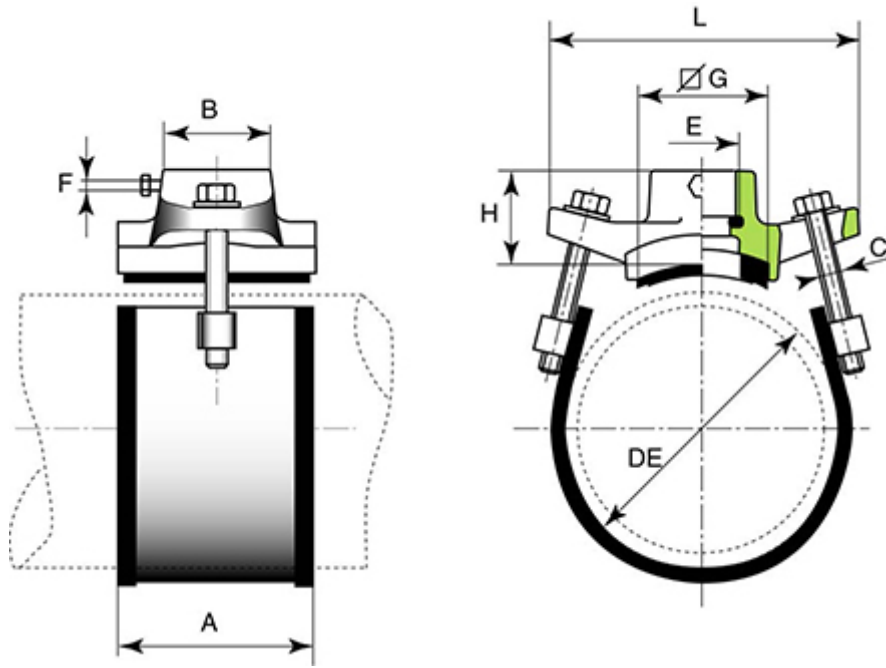


Tapping saddles MPE are in conformity with EN545-2010.

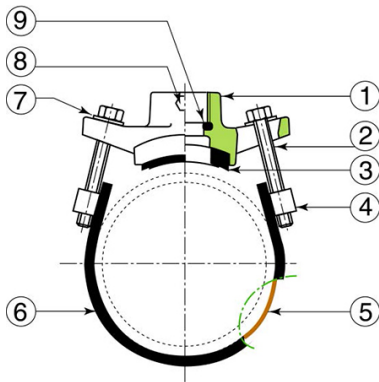
DN/OD (mm)	ØDE mini (mm)	ØDE maxi (mm)	Threaded	Mass (kg)	References
75	75	83	M40	1.80	RSL75CPABB
90	88	100	M40	2.00	RSL90CPABB
90	88	100	M55	2.20	RSL90CQABB
110	110	122	M40	2.40	RSM11CPABB
110	110	122	M55	2.30	RSM11CQABB
125	125	137	M40	2.40	RSM12CPABB
125	125	137	M55	2.30	RSM12CQABB
140	139	150	M40	2.60	RSM14CPABB
140	139	150	M55	2.70	RSM14CQABB
160	160	172	M40	2.70	RSM16CPABB
160	160	172	M55	2.80	RSM16CQABB
180	180	192	M40	2.80	RSM18CPABB
180	180	192	M55	2.90	RSM18CQABB
200	200	220	M40	3.10	RSB20CPABB
200	200	220	M55	3.50	RSB20CQABB
225	222	234	M40	3.10	RSB22CPABB
225	222	234	M55	3.50	RSB22CQABB
250	250	275	M55	6.10	RSB25CQABB

DN/OD (mm)	ØDE mini (mm)	ØDE maxi (mm)	Threaded	Mass (kg)	References
315	315	336	M55	6.80	RSM31CQABB

DN/OD (mm)	A (mm)	B (mm)	C	G (mm)	H (mm)	L (mm)
75	58	63	M12	68	44	139
90	88	63	M12	88	43	162
90	88	73	M12	84x92	45	172
110	88	63	M12	80	50	172
110	88	73	M12	88	49	172
125	88	63	M12	80	50	172
125	88	73	M12	88	49	172
140	88	63	M12	80x82	55	184
140	88	73	M12	88	57	188
160	88	63	M12	80x82	55	184
160	88	73	M12	88	57	188
180	88	63	M12	80x82	55	184
180	88	73	M12	88	57	188
200	88	63	M12	80x90	60	216
200	88	75	M12	88	62	216
225	88	63	M12	80x90	60	216
225	88	75	M12	88	62	216
250	88	85x85	M12	125	58	238
315	88	85x85	M12	125	58	260



## Materials and coatings



Item	Designation	Material	Coating
1	Body	Ductile iron	Epoxy 250 µm
2	Screw	Stainless steel type 304	
3	Seal pipe / saddle	EPDM Rubber	
4	Nut	Stainless steel type 304	Passivated
5	Band	Stainless steel type 304	Passivated

Item	Designation	Material	Coating
6	Rubber / band	EPM/TN Rubber	
7	Wash	Stainless steel type 304	
8	Fixing screw	Stainless class 8-8	Zinc Plating Zn/Fe
9	Nozzle joint for stop valve	EPDM Rubber	

*The information on this sketch is, to the best of our knowledge correct at the time of printing. However Saint-Gobain are constantly looking at ways of improving their products and services therefore reserve the right to change without prior notice, any of the data shown. Any orders placed will be subject to our Standard Conditions of Sale, available on request.*