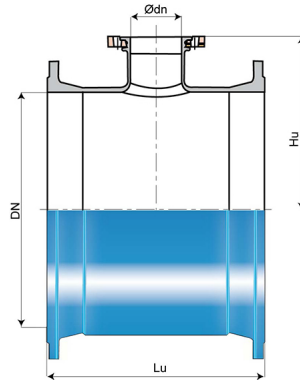


**Tee (PECB) with 2 Fixed Flanges and Rotatable Flange branch**



DN (mm)	Ødn (mm)	Lu (mm)	Hu (mm)	PN 10		PN 16		PN 25	
				Mass (kg)	References	Mass (kg)	References	Mass (kg)	References
700	150	650	520	282.00	BBB70UE1JTT	299.00	BBB70UE2JTT		
700	200	650	525	285.00	BBB70UE1KTT	302.00	BBB70UE2KTT	359.00	BBB70UE3KTT
700	250	650	535	292.00	BBB70UV1LTT	309.00	BBB70UV2LTT		
700	400	870	555	366.50	BBB70UE1NTT	388.00	BBB70UE2NTT		
700	600	1200	585	494.00	BBB70UE1RTT	536.00	BBB70UE2RTT	594.00	BBB70UE3RTT
700	300	870	530			335.00	BBB70UE2MTT		
800	150	690	580	370.00	BBB80UE1JTT	392.00	BBB80UE2JTT	476.00	BBB80UE3JTT
800	200	690	585	373.00	BBB80UE1KTT	396.00	BBB80UE2KTT	479.00	BBB80UE3KTT
800	250	690	585	379.00	BBB80UV1LTT	401.00	BBB80UV2LTT	486.00	BBB80UV3LTT
800	300	910	585	432.00	BBB80UE1MTT	435.00	BBB80UE2MTT	518.00	BBB80UE3MTT
800	400	910	615	467.50	BBB80UE1NTT	495.00	BBB80UE2NTT		
800	600	1350	645	654.00	BBB80UE1RTT	701.00	BBB80UE2RTT	787.00	BBB80UE3RTT
800	450	1350	615			508.00	BBB80UE2PTT		
900	150	730	600	461.00	BBB90UE1JTT	480.00	BBB90UE2JTT		
900	200	730	645	461.00	BBB90UE1KTT	483.00	BBB90UE2KTT	580.00	BBB90UE3KTT
900	300	950	660	545.00	BBB90UE1MTT	550.00	BBB90UE2MTT		
900	400	950	675	572.50	BBB90UE1NTT	598.00	BBB90UE2NTT	729.20	BBB90UE3NTT
900	600	1500	705	839.00	BBB90UE1RTT	885.00	BBB90UE2RTT	984.00	BBB90UE3RTT
900	250	730	640			482.00	BBB90UV2LTT		
900	450	1500	680			630.00	BBB90UE2PTT		
1000	150	770	705	587.00	BBC10UE1JTT	631.00	BBC10UE2JTT	758.00	BBC10UE3JTT

DN (mm)	Ødn (mm)	Lu (mm)	Hu (mm)	PN 10		PN 16		PN 25	
				Mass (kg)	References	Mass (kg)	References	Mass (kg)	References
1000	200	770	705	589.00	BBC10UE1KTT	633.00	BBC10UE2KTT	761.00	BBC10UE3KTT
1000	250	770	705	590.00	BBC10UV1LTT	695.00	BBC10UV2LTT	763.00	BBC10UV3LTT
1000	300	990	720	710.00	BBC10UE1MTT	754.00	BBC10UE2MTT	885.00	BBC10UE3MTT
1000	400	990	735	718.50	BBC10UE1NTT	767.00	BBC10UE2NTT	902.00	BBC10UE3NTT
1000	600	1650	765	1086.00	BBC10UE1RTT	1155.00	BBC10UE2RTT	1284.00	BBC10UE3RTT
1200	200	1245	880	1169.00	BBC12UE1KTT	1259.00	BBC12UE2KTT		
1200	300	1245	838	1181.00	BBC12UE1MTT	1269.00	BBC12UE2MTT	1428.00	BBC12UE3MTT
1200	400	1245	835	1187.00	BBC12UE1NTT	1263.00	BBC12UE2NTT		
1200	600	1245	885	1304.00	BBC12UE1RTT	1304.00	BBC12UE2RTT		
1200	150	1245	880			1256.00	BBC12UE2JTT		
1400	600	1530	980	1643.00	BBC14UE1RTT	1259.00	BBC14UE2RTT		
1400	200	1530	940			1511.00	BBC14UE2KTT		
1400	250	1530	1000			1511.00	BBC14UE2LTT		
1500	600	1530	980	1747.00	BBC15UE1RTT				
1600	600	1610	1090	2186.00	BBC16UE1RTT				
1600	300	1610	1050			2317.00	BBC16UE2MTT	2616.00	BBC16UE3MTT
1800	600	1650	1200	2800.00	BBC18UE1RTT				
2000	600	1700	1315	3384.00	BBC20UE1RTT				

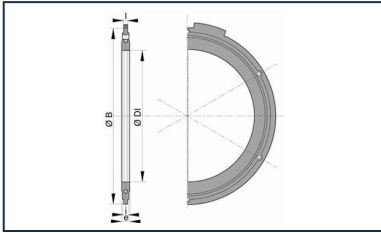
## Field of use:

- For drinking water networks

## Main characteristics:

- External and internal coating : Blue epoxy powder 250 microns average thickness with a minimum of 200 microns, conforming to EN 14901 (PECB)
- In conformity with EN 545:2010 and ISO 2531:2009

## Linked products



Flanged joint with hot galvanized steel bolts, nuts and washers

*The information on this sketch is, to the best of our knowledge correct at the time of printing. However Saint-Gobain are constantly looking at ways of improving their products and services therefore reserve the right to change without prior notice, any of the data shown. Any orders placed will be subject to our Standard Conditions of Sale, available on request.*