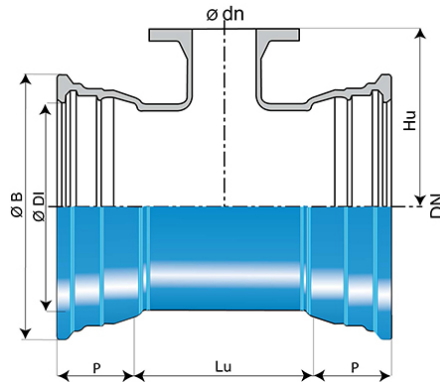


Tee (PECB) with 2 sockets STANDARD and Fixed Flange branch



DN (mm)	PN	Ødn (mm)	Lu (mm)	Hu (mm)	P (mm)	ØDI (mm)	ØB (mm)	Mass (kg)	References
400	10 16	100	195	360	112	432.4	515.3	75.20	SSB40TD1FTT
400	25 40	100	195	360	112	432.4	515.3	83.00	SSB40TD3FTT
500	10 16	100	210	420	117.5	535.5	628	106.80	SSB50TD1FTT
500	25 40	100	210	420	117.5	535.5	628	116.00	SSB50TD3FTT
700	10	700	915	600	150	742.2	861	491.00	SSB70TD1STT
700	16	700	915	600	150	742.2	861	499.00	SSB70TD2STT
800	10	800	1015	675	160	846.3	972	663.00	SSB80TD1TTT
800	16	800	1015	675	160	846.3	972	674.00	SSB80TD2TTT
900	10	900	1145	750	175	949.4	1080	867.00	SSB90TD1UTT
900	16	900	1145	750	175	949.4	1080	878.00	SSB90TD2UTT
1000	10	1000	1258	830	185	1052.5	1189	1115.00	SSC10TD1VTT
1000	16	1000	1258	830	185	1052.5	1189	1137.00	SSC10TD2VTT
1200	10	800	1245	915	195	1263	1412	1329.00	SSC12TD1TTT
1200	16	800	1245	915	195	1263	1412	1353.00	SSC12TD2TTT
1200	25	800	1245	915	195	1263	1412	1418.00	SSC12TD3TTT
1200	10	900	1245	930	195	1263	1412	1378.00	SSC12TD1UTT
1200	16	900	1245	930	195	1263	1412	1397.00	SSC12TD2UTT
1200	25	1000	1245	920	195	1263	1412	1532.00	SSC12TD3VTT
1200	16	1100	1480	907	195	1263	1412	2047.00	SSC12TD2ATT
1200	10	1200	1480	950	195	1263	1412	1587.00	SSC12TD1BTT
1200	16	1200	1480	950	195	1263	1412	1732.00	SSC12TD2BTT
1400	10	800	1950	1010	255	1467	1600	2502.00	SSC14TD1TTT

DN (mm)	PN	Ødn (mm)	Lu (mm)	Hu (mm)	P (mm)	ØDI (mm)	ØB (mm)	Mass (kg)	References
1400	10	1200	1950	1070	255	1467	1600	2320.00	SSC14TD1BTT
1400	25	1200	1950	1070	255	1467	1600	2346.00	SSC14TD3BTT

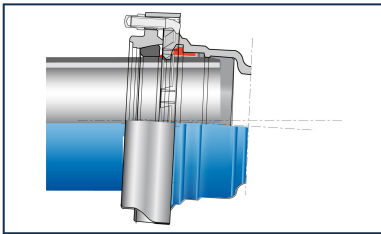
Field of use:

- For drinking water and irrigation networks
- For aggressive soils (maritime soils, peaty, ...)

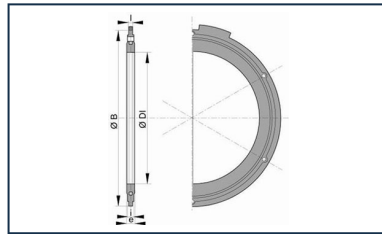
Main characteristics:

- External and internal coating : Blue epoxy powder 250 microns average thickness with a minimum of 200 microns, conforming to EN 14901-1 (PECB)
- In conformity with EN 545:2010 and ISO 2531:2009

Linked products



Kit Standard Fitting PECB
+ Standard Ve Joint



Flanged joint with hot
galvanized steel bolts,
nuts and washers

The information on this sketch is, to the best of our knowledge correct at the time of printing. However Saint-Gobain are constantly looking at ways of improving their products and services therefore reserve the right to change without prior notice, any of the data shown. Any orders placed will be subject to our Standard Conditions of Sale, available on request.