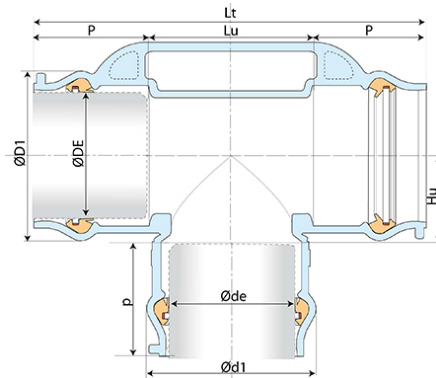


Tee IZIFIT-K with 3 sockets



DN/OD (mm)	ØDE (mm)	ØD1 (mm)	P (mm)	Lu (mm)	Øde (mm)	Ød1 (mm)	p (mm)	Hu (mm)	Lt (mm)	Mass (kg)	References
140	140	177	108	125	110	146	99	82	341	10.55	KZM14TEOE
140	140	177	108	150	125	162	104	82	366	11.46	KZM14TEOG
140	140	177	108	155	140	177	108	82	371	11.90	KZM14TEOH
160	160	199	114	125	110	146	99	92	353	11.93	KZM16TEOE
160	160	199	114	140	125	162	104	92	368	12.66	KZM16TEOG
160	160	199	114	150	140	177	108	92	378	13.25	KZM16TEOH

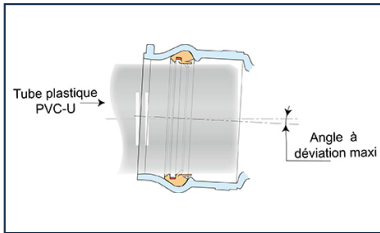
Field of use:

- Jointing of PVC-U pipes
- For potable water networks

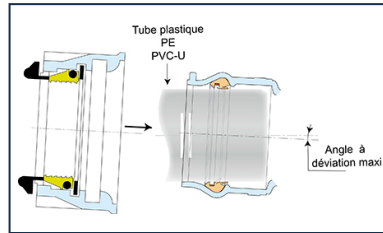
Main characteristics:

- EN 12842
- External and internal coating : Blue epoxy powder 250 microns average thickness with a minimum of 200 microns, conforming to EN 14901-1 (PECB)
- IZIFIT-K fittings are supplied with pre-fitted gaskets protected by caps
- Elastomer quality : EPDM (EN 681-1)

Linked products



IZIFIT-K Joint for plastics piping systems



IZIFIT-K anchored Vi Joint for plastics piping systems

The information on this sketch is, to the best of our knowledge correct at the time of printing. However Saint-Gobain are constantly looking at ways of improving their products and services therefore reserve the right to change without prior notice, any of the data shown. Any orders placed will be subject to our Standard Conditions of Sale, available on request.