

Telescopic extension spindle for EURO 20 - EURO 20 NG - EURO 20 New



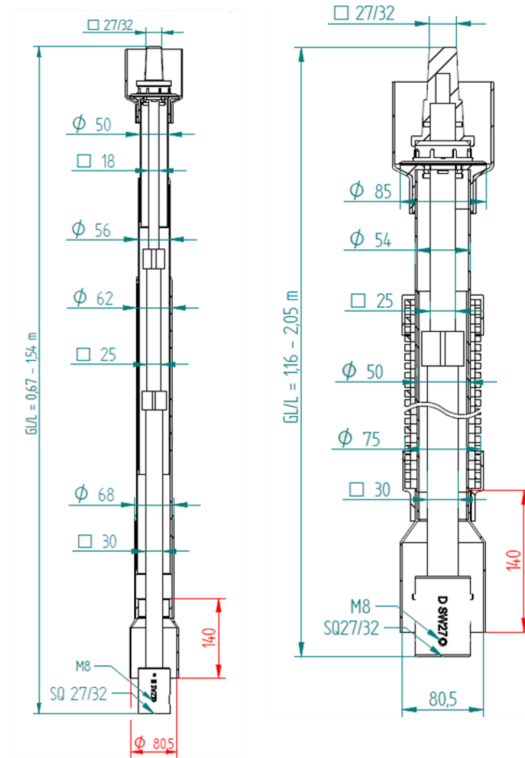
The telescopic extension spindle allows valve operation from the ground for EURO 20, EURO 20 NG and EURO 20 NEW gate valve.

Assembly of the operating assembly on a 30x30 operating square.

The height of the assembly can be easily adjusted through the integrated telescopic device.

[Equivalence of old and new Telescopic extension spindle](#)

| Height range (mm) | Mass (kg) | References |
|-------------------|-----------|------------|
| 670 - 1540 | 4.90 | 292164 |
| 1160 - 2005 | 8.90 | 292165 |



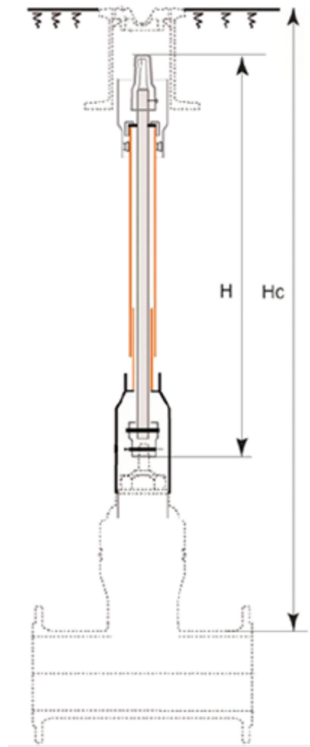
Support



EURO 20, EURO 20 NG, EURO 20 NEW ranges require dedicated support for extension spindle :

| TYPE | DN | PVC | Ductile iron |
|------------------------|---------|----------|--------------|
| EURO 20 NEW S14/S15 | 40-50 | RAA80BDN | RAA80BBN |
| | 65-150 | RAA80CDN | RAA80CBN |
| | 200-400 | RAB20CDN | RAB20CBN |
| EURO 20 - EURO 20 NG | 40-150 | RAA80BDN | RAA80BBN |
| | 200-400 | RAA80CDN | RAA80CBN |

Depth of cover



The depth of cover H_c is the distance between the upper generatrix of the pipe and the ground level. This height will depend of the diameter of the valve and the height of the extension (H).

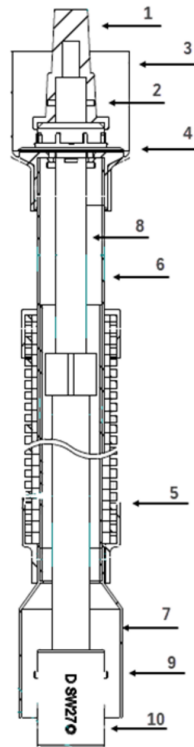
H_c mini corresponds to the minimum allow height after cutting ($H=300\text{mm}$)

H_c maxi corresponds the initial height of the extension before cutting ($H=1000\text{mm}$ ou 1710mm)

| EURO 20 - EURO 20 NG | | | | | EURO 20 NEW | | | | |
|----------------------|---------|---------|---------|---------|-------------|---------|---------|---------|---------|
| | 292164 | | 292165 | | | 292164 | | 292165 | |
| DN | Hc mini | Hc maxi | Hc mini | Hc maxi | DN | Hc mini | Hc maxi | Hc mini | Hc maxi |
| mm | mm | mm | mm | mm | mm | mm | mm | mm | mm |
| 40 | 931 | 1801 | 1421 | 2266 | 40 | 931 | 1801 | 1421 | 2266 |
| 50 | 920 | 1790 | 1410 | 2255 | 50 | 921 | 1791 | 1411 | 2256 |
| 65 | 974,5 | 1844,5 | 1464,5 | 2309,5 | 65 | 950 | 1820 | 1440 | 2285 |

| EURO 20 - EURO 20 NG | | | | | EURO 20 NEW | | | | |
|----------------------|---------|---------|---------|---------|-------------|---------|---------|---------|---------|
| | 292164 | | 292165 | | | 292164 | | 292165 | |
| DN | Hc mini | Hc maxi | Hc mini | Hc maxi | DN | Hc mini | Hc maxi | Hc mini | Hc maxi |
| mm | mm | mm | mm | mm | mm | mm | mm | mm | mm |
| 80 | 957 | 1827 | 1447 | 2292 | 80 | 966 | 1836 | 1456 | 2301 |
| 100 | 998,5 | 1868,5 | 1488,5 | 2333,5 | 100 | 986,5 | 1856,5 | 1476,5 | 2321,5 |
| 125 | 1033 | 1903 | 1523 | 2368 | 125 | 1014 | 1884 | 1504 | 2349 |
| 150 | 1053 | 1923 | 1543 | 2388 | 150 | 1045,5 | 1915,5 | 1535,5 | 2380,5 |
| 200 | 1133 | 2003 | 1623 | 2468 | 200 | 1157 | 2027 | 1647 | 2492 |
| 250 | 1219 | 2089 | 1709 | 2554 | 250 | 1248 | 2118 | 1738 | 2583 |
| 300 | 1274,5 | 2144,5 | 1764,5 | 2609,5 | 300 | 1355,5 | 2225,5 | 1845,5 | 2690,5 |
| 350 | 1304 | 2174 | 1794 | 2639 | | | | | |
| 400 | 1463,5 | 2333,5 | 1953,5 | 2798,5 | | | | | |

Material and coating



| Item | Designation | Material |
|------|------------------------|-----------------------------------|
| 1 | Operating cap 30x30 | Ductile iron GJS400-15 galvanised |
| 2 | Pin | Stainless steel |
| 3 | Tube adaptor | HDPE |
| 4 | Tube protection bonnet | HDPE |
| 5 | Protection tube D50x2 | HDPE |
| 6 | Protection tube D54x2 | HDPE |
| 7 | Bell tube | HDPE |
| 8 | Square rod | Steel S235JR galvanised |
| 9 | Pin | Stainless steel |
| 10 | Female head 30x30 | Ductile iron GJS400-15 galvanised |

Reminder of references for operating square



Operating cap DN40-150

Operati

| DN | EURO 20 NEW | EURO 20 | EURO 20 NG | |
|-------|-------------|---------|------------|--------|
| mm | | | FAH | FSH |
| 40 | 162044 | 162044 | | |
| 50 | 162044 | 162044 | | |
| 60/65 | 162047 | | 162044 | 162047 |
| 80 | 162047 | | 162044 | 162047 |
| 100 | 162052 | | 162047 | 162052 |
| 125 | 162052 | | 162047 | 162052 |
| 150 | 162052 | | 162052 | 162052 |
| 200 | 162065 | | 162065 | 162065 |
| 250 | 162065 | | 162065 | 162065 |
| 300 | 162065 | | 162065 | 162065 |
| 350 | 162083 | | 162083 | 162083 |
| 400 | 162083 | 162083 | | |

For the EURO 20, EURO 20 NG and EURO 20 NEW ranges, coupling is done on the operating square.

The information on this sketch is, to the best of our knowledge correct at the time of printing. However Saint-Gobain are constantly looking at ways of improving their products and services therefore reserve the right to change without prior notice, any of the data shown. Any orders placed will be subject to our Standard Conditions of Sale, available on request.