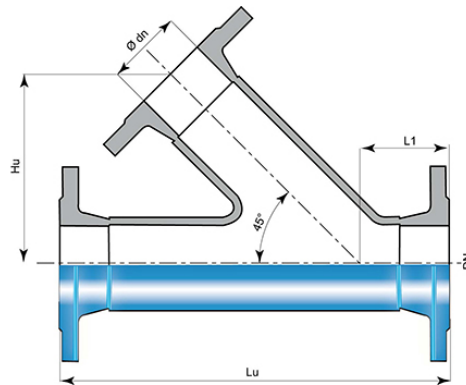


Tee 45° angle branch (PECB) with 3 Fixed Flanges



DN (mm)	Ødn (mm)	Lu (mm)	Hu (mm)	PN 10		PN 16		PN 25	
				Mass (kg)	References	Mass (kg)	References	Mass (kg)	References
80	80	400	195	21.00	BBA80TU1ETT	21.00	BBA80TU1ETT	21.00	BBA80TU1ETT
100	100	430	215	27.00	BBB10TU1FTT	27.00	BBB10TU1FTT		
150	150	530	270	47.00	BBB15TU1JTT	47.00	BBB15TU1JTT		
200	200	600	321	71.40	BBB20TU1KTT	71.00	BBB20TU2KTT		
250	250	700	363			105.00	BBB25TU2LTT		
300	300	800	412			149.20	BBB30TU2MTT		
400	400	960	512			215.00	BBB40TU2NTT		

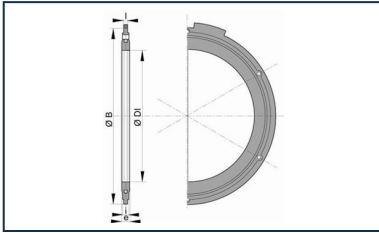
Field of use:

- For drinking water networks

Main characteristics:

- External and internal coating : Blue epoxy powder 250 microns average thickness with a minimum of 200 microns, conforming to EN 14901 (PECB)
- In conformity with EN 545:2010 and ISO 2531:2009

Linked products



Flanged joint with hot galvanized steel bolts, nuts and washers

The information on this sketch is, to the best of our knowledge correct at the time of printing. However Saint-Gobain are constantly looking at ways of improving their products and services therefore reserve the right to change without prior notice, any of the data shown. Any orders placed will be subject to our Standard Conditions of Sale, available on request.