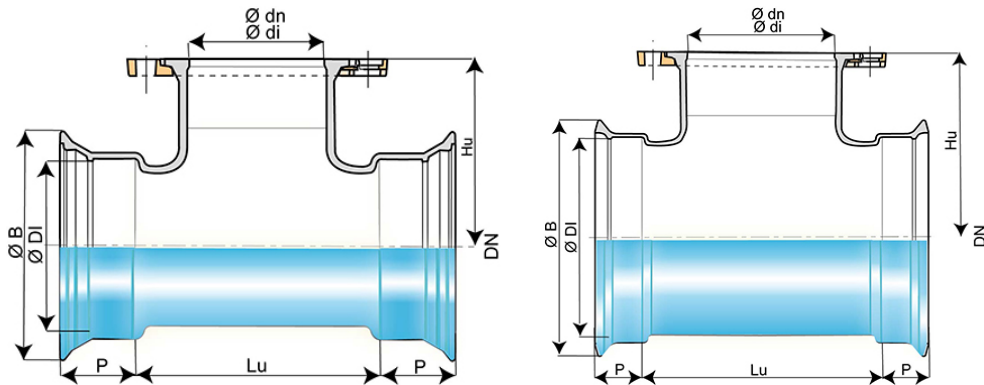


Tee NATURAL with 2 sockets EXPRESS and Rotatable Flange branch



| DN (mm) | Ødn (mm) | Lu (mm) | Hu (mm) | P (mm) | ØDI (mm) | ØB (mm) | PN 10 | | PN 16 | | PN 25 | |
|---------|----------|---------|---------|--------|----------|---------|-----------|--------------|-----------|--------------|-----------|--------------|
| | | | | | | | Mass (kg) | References | Mass (kg) | References | Mass (kg) | References |
| 60 | 40 | 154 | 141 | 76 | 80.3 | 143.5 | 9.00 | NEA60UD1ANN2 | 9.00 | NEA60UD1ANN2 | 9.00 | NEA60UD1ANN2 |
| 60 | 60 | 154 | 161 | 76 | 80.3 | 143.5 | 9.87 | NEA60UD1CNN2 | 9.87 | NEA60UD1CNN2 | 9.90 | NEA60UD3CNN2 |
| 60 | 65 | 154 | 161 | 76 | 80.3 | 143.5 | 10.46 | NEA60UD1DNN2 | 10.46 | NEA60UD1DNN2 | 10.90 | NEA60UD3DNN2 |
| 80 | 40 | 145 | 149 | 79 | 101.4 | 167.5 | 10.80 | NEA80UD1ANN2 | 10.80 | NEA80UD1ANN2 | 10.80 | NEA80UD1ANN2 |
| 80 | 60 | 145 | 169 | 79 | 101.4 | 167.5 | 11.27 | NEA80UD1CNN2 | 11.27 | NEA80UD1CNN2 | 11.30 | NEA80UD3CNN2 |
| 80 | 65 | 145 | 174 | 79 | 101.4 | 167.5 | 11.86 | NEA80UD1DNN2 | 11.86 | NEA80UD1DNN2 | 12.30 | NEA80UD3DNN2 |
| 80 | 80 | 183 | 165 | 79 | 101.4 | 167.5 | 13.27 | NEA80UD1ENN2 | 13.27 | NEA80UD1ENN2 | 13.27 | NEA80UD1ENN2 |
| 100 | 40 | 150 | 161 | 80 | 121.4 | 187.5 | 12.70 | NEB10UD1ANN2 | 12.70 | NEB10UD1ANN2 | 12.70 | NEB10UD1ANN2 |
| 100 | 60 | 150 | 181 | 80 | 121.4 | 187.5 | 13.77 | NEB10UD1CNN2 | 13.77 | NEB10UD1CNN2 | 13.80 | NEB10UD3CNN2 |
| 100 | 65 | 150 | 186 | 80 | 121.4 | 187.5 | 14.36 | NEB10UD1DNN2 | 14.36 | NEB10UD1DNN2 | 14.80 | NEB10UD3DNN2 |
| 100 | 80 | 185 | 177 | 80 | 121.4 | 187.5 | 15.37 | NEB10UD1ENN2 | 15.37 | NEB10UD1ENN2 | 15.37 | NEB10UD1ENN2 |
| 100 | 100 | 210 | 180 | 80 | 121.4 | 187.5 | 16.60 | NEB10UD1FNN2 | 16.60 | NEB10UD1FNN2 | 17.80 | NEB10UD3FNN2 |
| 125 | 40 | 150 | 164 | 83 | 147.4 | 214.5 | 15.30 | NEB12UD1ANN2 | 15.30 | NEB12UD1ANN2 | 15.30 | NEB12UD1ANN2 |
| 125 | 60 | 150 | 184 | 83 | 147.4 | 214.5 | 16.57 | NEB12UD1CNN2 | 16.57 | NEB12UD1CNN2 | 16.60 | NEB12UD3CNN2 |
| 125 | 65 | 150 | 184 | 83 | 147.4 | 214.5 | 17.16 | NEB12UD1DNN2 | 17.16 | NEB12UD1DNN2 | 17.60 | NEB12UD3DNN2 |
| 125 | 80 | 165 | 195 | 83 | 147.4 | 214.5 | 18.27 | NEB12UD1ENN2 | 18.27 | NEB12UD1ENN2 | 18.27 | NEB12UD1ENN2 |
| 125 | 100 | 190 | 200 | 83 | 147.4 | 214.5 | 19.60 | NEB12UD1FNN2 | 19.60 | NEB12UD1FNN2 | 20.80 | NEB12UD3FNN2 |
| 125 | 125 | 267 | 200 | 83 | 147.4 | 214.5 | 22.13 | NEB12UD1GNN2 | 22.13 | NEB12UD1GNN2 | 23.80 | NEB12UD3GNN2 |
| 150 | 40 | 154 | 176 | 86 | 173.4 | 241.5 | 18.40 | NEB15UD1ANN2 | 18.40 | NEB15UD1ANN2 | 18.40 | NEB15UD1ANN2 |
| 150 | 60 | 154 | 196 | 86 | 173.4 | 241.5 | 19.77 | NEB15UD1CNN2 | 19.77 | NEB15UD1CNN2 | 19.80 | NEB15UD3CNN2 |
| 150 | 65 | 154 | 201 | 86 | 173.4 | 241.5 | 20.36 | NEB15UD1DNN2 | 20.36 | NEB15UD1DNN2 | 20.80 | NEB15UD3DNN2 |

| | | | | | | | PN 10 | | PN 16 | | PN 25 | |
|---------|----------|---------|---------|--------|----------|---------|-----------|--------------|-----------|--------------|-----------|--------------|
| DN (mm) | Ødn (mm) | Lu (mm) | Hu (mm) | P (mm) | ØDI (mm) | ØB (mm) | Mass (kg) | References | Mass (kg) | References | Mass (kg) | References |
| 150 | 80 | 165 | 210 | 86 | 173.4 | 241.5 | 21.67 | NEB15UD1ENN2 | 21.67 | NEB15UD1ENN2 | 21.67 | NEB15UD1ENN2 |
| 150 | 100 | 190 | 215 | 86 | 173.4 | 241.5 | 23.20 | NEB15UD1FNN2 | 23.20 | NEB15UD1FNN2 | 24.40 | NEB15UD3FNN2 |
| 150 | 125 | 220 | 210 | 86 | 173.4 | 241.5 | 25.83 | NEB15UD1GNN2 | 25.83 | NEB15UD1GNN2 | | |
| 150 | 150 | 305 | 220 | 86 | 173.4 | 241.5 | 28.56 | NEB15UD1JNN2 | 28.56 | NEB15UD1JNN2 | 30.60 | NEB15UD3JNN2 |
| 200 | 40 | 159 | 209 | 92 | 225.5 | 294.5 | 25.10 | NEB20UD1ANN2 | 25.10 | NEB20UD1ANN2 | 25.10 | NEB20UD1ANN2 |
| 200 | 60 | 159 | 229 | 92 | 225.5 | 294.5 | 26.87 | NEB20UD1CNN2 | 26.87 | NEB20UD1CNN2 | 26.90 | NEB20UD3CNN2 |
| 200 | 65 | 159 | 234 | 92 | 225.5 | 294.5 | 27.46 | NEB20UD1DNN2 | 27.46 | NEB20UD1DNN2 | 27.90 | NEB20UD3DNN2 |
| 200 | 80 | 170 | 240 | 92 | 225.5 | 294.5 | 29.17 | NEB20UD1ENN2 | 29.17 | NEB20UD1ENN2 | 29.17 | NEB20UD1ENN2 |
| 200 | 100 | 195 | 245 | 92 | 225.5 | 294.5 | 29.30 | NEB20UD1FNN2 | 29.30 | NEB20UD1FNN2 | 30.50 | NEB20UD3FNN2 |
| 200 | 150 | 250 | 245 | 92 | 225.5 | 294.5 | 37.16 | NEB20UD1JNN2 | 37.16 | NEB20UD1JNN2 | 39.20 | NEB20UD3JNN2 |
| 200 | 200 | 360 | 260 | 92 | 225.5 | 294.5 | 45.40 | NEB20UD1KNN2 | 45.30 | NEB20UD2KNN2 | 46.80 | NEB20UD3KNN2 |
| 250 | 60 | 165 | 260 | 100 | 277.8 | 351.1 | 27.90 | NEB25UD1CNN2 | 27.90 | NEB25UD1CNN2 | 27.50 | NEB25UD3CNN2 |
| 250 | 65 | 164 | 272 | 100 | 276.8 | 351 | 28.06 | NEB25UD1DNN2 | 28.06 | NEB25UD1DNN2 | 39.80 | NEB25UD3DNN2 |
| 250 | 80 | 234 | 250 | 100 | 276.8 | 351 | 27.80 | NEB25UD1ENN2 | 27.80 | NEB25UD1ENN2 | 27.80 | NEB25UD1ENN2 |
| 250 | 100 | 200 | 274 | 100 | 276.8 | 351 | 29.50 | NEB25UV1FNN2 | 29.50 | NEB25UV1FNN2 | 30.70 | NEB25UV3FNN2 |
| 250 | 150 | 235 | 280 | 100 | 277.8 | 351.1 | 39.40 | NEB25UD1JNN2 | 39.40 | NEB25UD1JNN2 | 41.40 | NEB25UD3JNN2 |
| 250 | 200 | 290 | 290 | 100 | 277.8 | 351.1 | 47.40 | NEB25UD1KNN2 | 47.60 | NEB25UD2KNN2 | 48.90 | NEB25UD3KNN2 |
| 250 | 250 | 350 | 300 | 100 | 277.8 | 351.1 | 56.20 | NEB25UD1LNN2 | 56.20 | NEB25UD2LNN2 | 58.90 | NEB25UD3LNN2 |
| 300 | 60 | 237 | 297 | 105 | 328.8 | 408.2 | 41.10 | NEB30UD1CNN2 | 41.10 | NEB30UD1CNN2 | 40.70 | NEB30UD3CNN2 |
| 300 | 65 | 237 | 297 | 105 | 328.8 | 408.2 | 56.96 | NEB30UD1DNN2 | 56.96 | NEB30UD1DNN2 | | |
| 300 | 80 | 155 | 295 | 110 | 329.8 | 407.5 | 40.90 | NEB30UD1ENN2 | 40.90 | NEB30UD1ENN2 | 40.90 | NEB30UD1ENN2 |
| 300 | 100 | 205 | 302 | 105 | 328.8 | 408.2 | 35.99 | NEB30UV1FNN2 | 35.99 | NEB30UV1FNN2 | 37.19 | NEB30UV3FNN2 |
| 300 | 150 | 235 | 310 | 110 | 329.8 | 407.5 | 49.20 | NEB30UD1JNN2 | 49.20 | NEB30UD1JNN2 | 51.20 | NEB30UD3JNN2 |
| 300 | 200 | 295 | 320 | 110 | 329.8 | 407.5 | 58.70 | NEB30UD1KNN2 | 58.90 | NEB30UD2KNN2 | 60.20 | NEB30UD3KNN2 |
| 300 | 250 | 380 | 330 | 110 | 329.8 | 407.5 | 68.30 | NEB30UD1LNN2 | 68.30 | NEB30UD2LNN2 | 71.00 | NEB30UD3LNN2 |
| 300 | 300 | 410 | 340 | 110 | 329.8 | 407.5 | 79.50 | NEB30UD1MNN2 | 79.00 | NEB30UD2MNN2 | 82.60 | NEB30UD3MNN2 |

Field of use:

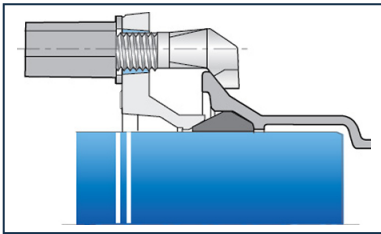
- For drinking water networks
- The scope of use of Aquacoat® fittings in soils is equivalent to that of Natural Biozinalium® pipes, it is suitable for the majority of soils, as defined in appendix D.2.2 of standard EN545:2010. exception :
 - peaty and acidic soils
 - soils containing waste, ashes, slag or contaminated by certain waste or industrial effluents
 - soils located below the level of the marine water table having a resistivity less than 500 Ω cm

- In such soils, or in other aggressive environments, or in the event of stray currents, it is recommended to use other, more suitable types of coatings.

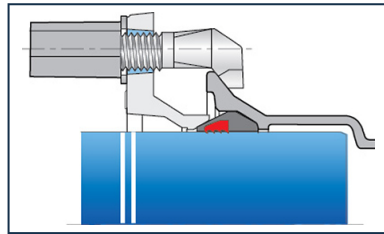
Main characteristics:

- Inside-Outside coating: Aquacoat fittings (AQB) without Bisphenol
- In conformity with EN 545:2010 and ISO 2531:2009

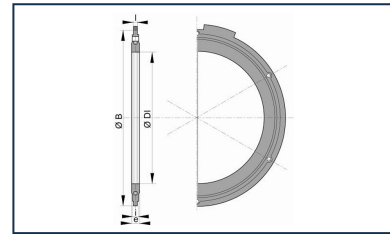
Linked products



Kit Express Fittings AQB
+ Express Gasket



Kit Express Fitting AQB +
Express Vi Gasket



Flanged joint with
metallized steel bolts and
nuts

The information on this sketch is, to the best of our knowledge correct at the time of printing. However Saint-Gobain are constantly looking at ways of improving their products and services therefore reserve the right to change without prior notice, any of the data shown. Any orders placed will be subject to our Standard Conditions of Sale, available on request.