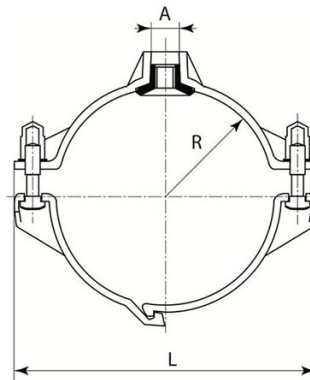


Under pressure tapping collars for ductile iron (except BLUTOP)



Under pressure tapping collars for ductile iron mains are in conformity with EN545-2010.

DN (mm)	Version	R (mm)	Threaded	L (mm)	Mass (kg)	References
250	small boss M40 standard type with lateral locking screw	137.5	M40	385	4.30	RSB25APABB
250	large boss M55 standard type with lateral locking screw	137.5	M55	385	4.30	RSB25AQABB
300	small boss M40 standard type with lateral locking screw	163.5	M40	433	3.98	RSB30APABB
300	large boss M55 standard type with lateral locking screw	163.5	M55	433	4.60	RSB30AQABB
350	small boss M40 standard type with lateral locking screw	189.5	M40	507	5.00	RSB35APABB
350	large boss M55 standard type with lateral locking screw	189.5	M55	507	5.00	RSB35AQABB
400	small boss M40 standard type with lateral locking screw	215	M40	574	5.50	RSB40APABB
400	large boss M55 standard type with lateral locking screw	215	M55	574	5.50	RSB40AQABB

Bolt kit for mounting on TT pipe

The kit includes:

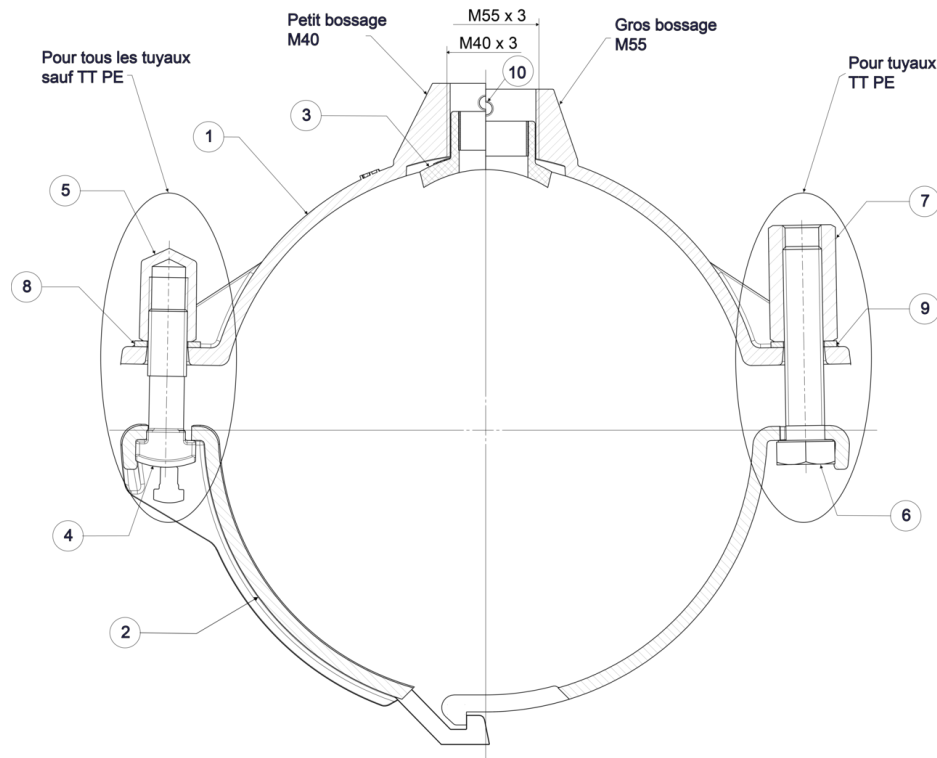
- 2 screws HM 20X100X100 stainless steel A4
- 2 washers MZ20 stainless steel A4
- 2 hexagonal nuts height 3 D M20 stainless steel A4

DN	Mass	Reference
mm	kg	
250-400	282582	0,5

Seal only for under pressure tapping collars

DN	Mass	Small boss	Mass	Large boss
mm	kg		kg	
250 - 400	0.087	162273	0.064	162143

Material and coatings



STANDARD Type

Item	Designation	Material	Coating
1	Collar upper part	Ductile iron	Epoxy 250 microns minimum thickness
2	Collar lower part	Ductile iron	Epoxy 250 microns minimum thickness
3	Gasket	EPDM	
4	Screw M20	Ductile iron	Galva + Phosphating + cataphoresis 40μ
5	Acorn nut Standard model M20	Ductile iron	Galva + Phosphating + cataphoresis 40μ
8	Washer Z 20 N	DACROMET	
10	Screw M8 head H	GEOMET 500	

Bolt kit for mounting on TT pipe only

Item	Designation	Material
6	Screw HM 20X100X100	Stainless steel A4
7	Hexagonal nuts height 3 D M20	Stainless steel A4
9	Washer Z 20 N	Stainless steel A4

The information on this sketch is, to the best of our knowledge correct at the time of printing. However Saint-Gobain are constantly looking at ways of improving their products and services therefore reserve the right to change without prior notice, any of the data shown. Any orders placed will be subject to our Standard Conditions of Sale, available on request.