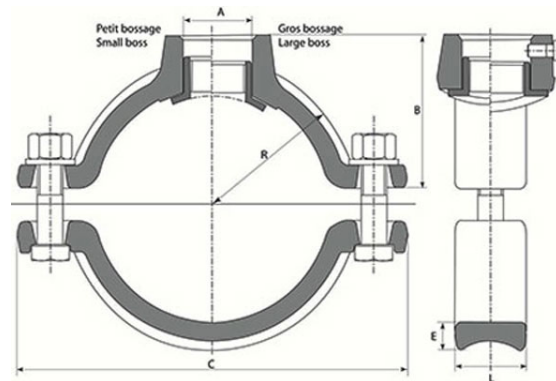


Under pressure tapping collars for ductile iron (except BLUTOP)



Under pressure tapping collars for ductile iron mains are in conformity with EN545-2010.

DN (mm)	R (mm)	B (mm)	L (mm)	E (mm)	C (mm)	Threaded	Mass (kg)	End of life reference
60	42.5	67.5	46	18	179	M40	2.00	RSA60APABB
60	42.5	67.5	46	18	179	M55	2.10	RSA60AQABB
80	52	75.5	46	18	200	M40	2.35	RSA80APABB
80	52	75.5	46	18	200	M55	2.45	RSA80AQABB
100	62.5	82.5	60	9	220	M40	2.65	RSB10APABB
100	62.5	82.5	60	9	220	M55	2.75	RSB10AQABB
125	75.5	99.0	46	18	250	M40	3.05	RSB12APABB
125	75.5	99.0	46	18	250	M55	3.15	RSB12AQABB
150	88.5	112.0	46	18	277	M40	3.45	RSB15APABB
150	88.5	112.0	46	18	277	M55	3.55	RSB15AQABB
200	117	140.5	46	18	332	M40	4.40	RSB20APABB
200	117	140.5	46	18	332	M55	4.50	RSB20AQABB

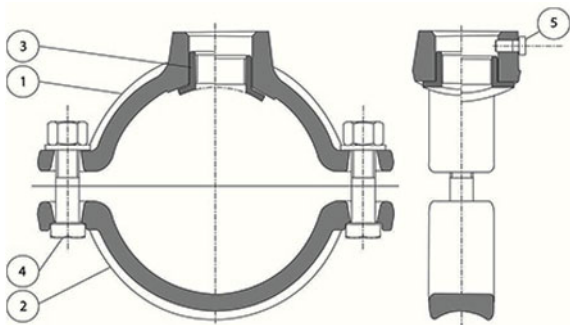
DN (mm)	R (mm)	B (mm)	L (mm)	E (mm)	C (mm)	Threaded	Mass (kg)	Replacement references
60	42.5	67.5	46	18	179	M40	2.00	RSA60APAGB
60	42.5	67.5	46	18	179	M55	2.10	RSA60AQAGB
80	52	75.5	46	18	200	M40	2.35	RSA80APAGB
80	52	75.5	46	18	200	M55	2.45	RSA80AQAGB

DN (mm)	R (mm)	B (mm)	L (mm)	E (mm)	C (mm)	Threaded	Mass (kg)	Replacement references
100	82.5	82.5	60	9	220	M40	2.65	RSB10APAGB
100	82.5		60	9	220	M55	2.75	RSB10AQAGB
125	75.5	99	46	18	250	M40	3.05	RSB12APAGB
125	75.5	99	46	18	250	M55	3.15	RSB12AQAGB
150	88.5	112	46	18	277	M40	3.45	RSB15APAGB
150	88.5	112	46	18	277	M55	3.55	RSB15AQAGB
	117	140.5	46	18	332	M40	4.40	RSB20APAGB
200	117	140.5	46	18	332	M55	4.50	RSB20AQAGB

Seal only for under pressure tapping collars for ductile iron pipes

DN	Mass	Small boss	Mass	Large boss
mm	kg		kg	
60 - 200	0.038	162473	0.048	162474
250 - 400	0.087	162273	0.064	162143

Materials and coatings



Item	Designation	Material	Coating
1	Upper half collar	Grade 400-15 or 500-7 ductile iron	Epoxy 250 microns thickness
2	Lower half collar	Grade 400-15 or 500-7 ductile iron	Epoxy 250 microns thickness
3	Standard type gasket	Elastomer	
4	Screw HM16 x 70/38	Steel Class 6.8	End of life product: Zinc yellow dichromate

Item	Designation	Material	Coating
			New product: GEOMET
5	HM 8x16 locking screw	Steel Class 6.8	End of life product: Zinc yellow dichromate
			New product: GEOMET

The information on this sketch is, to the best of our knowledge correct at the time of printing. However Saint-Gobain are constantly looking at ways of improving their products and services therefore reserve the right to change without prior notice, any of the data shown. Any orders placed will be subject to our Standard Conditions of Sale, available on request.