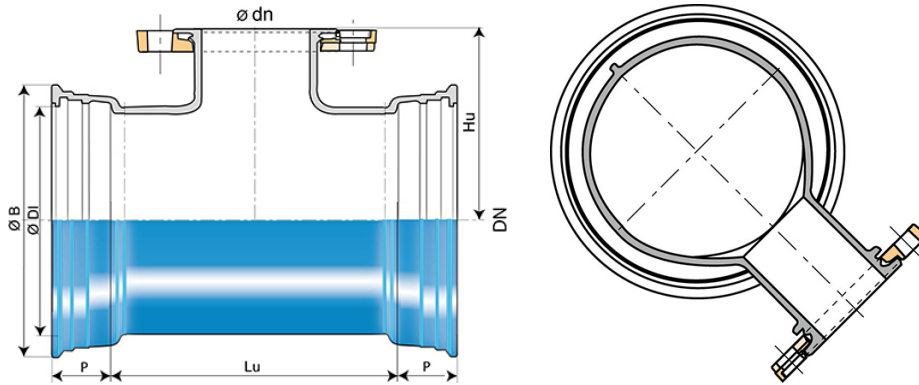


Washout Tee (PECB) with 2 sockets STANDARD and Rotatable Flange branch



DN (mm)	Ødn (mm)	Lu (mm)	Hu (mm)	P (mm)	ØDI (mm)	ØB (mm)	PN 10		PN 16		PN 25	
							Mass (kg)	References	Mass (kg)	References	Mass (kg)	References
250	100	175	245	105	277.8	351	32.80	SSB25UV1FTT2	32.80	SSB25UV1FTT2		
300	100	237	300	110	329.3	408.3	57.40	SSB30UV1FTT	57.40	SSB30UV1FTT		
350	100	194	330	110	381.4	464.3	71.80	SSB35UV1FTT	71.80	SSB35UV1FTT	73.00	SSB35UV3FTT
400	100	185	335	112	432.9	515.3	66.99	SSB40UV1FTT2	66.99	SSB40UV1FTT2		
450	100	215	390	115.5	484	573	77.91	SSB45UV1FTT2	77.91	SSB45UV1FTT2	79.28	SSB45UV3FTT2
500	100	190	395	117.5	536	628	88.73	SSB50UV1FTT2	88.73	SSB50UV1FTT2	90.09	SSB50UV3FTT2
600	100	200	455	132.5	639.1	737	122.50	SSB60UV1FTT2	122.50	SSB60UV1FTT2	123.90	SSB60UV3FTT2
600	200	315	475	132.5	639.1	737			168.95	SSB60UV2KTT2	176.72	SSB60UV3KTT2
700	250	365	535	150	742.2	861	272.00	SSB70UV1LTT	271.00	SSB70UV2LTT		
800	250	355	585	160	846.3	972	350.00	SSB80UV1LTT				
900	250	375	640	175	949.4	1080	474.00	SSB90UV1LTT	474.00	SSB90UV2LTT		
1000	250	379	705	185	1052.5	1189	520.00	SSC10UV1LTT	519.00	SSC10UV2LTT	522.00	SSC10UV3LTT
1200	250	855	873	195	1263	1412			950.00	SSC12UV2LTT		
1400	400	1010	960	255	1467	1600	1520.00	SSC14UV1NTT	1524.00	SSC14UV2NTT	1533.00	SSC14UV3NTT
1500	400	1110	960	280	1570	1742					1780.00	SSC15UV3NTT
1800	400	1300	1300	258	1881.7	2038	2360.00	SSC18UV1NTT	2345.00	SSC18UV2NTT		
1800	600	1300	1200	258	1881.7	2038	2360.00	SSC18UV1RTT	2385.00	SSC18UV2RTT		
2000	600	1115	1315	290	2089	2269	3269.00	SSC20UV1RTT	3319.00	SSC20UV2RTT	3325.00	SSC20UV3RTT

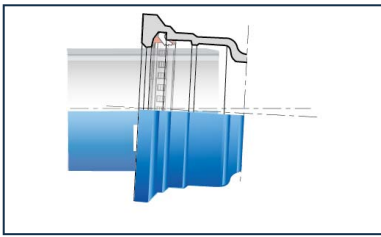
Field of use:

- For drinking water and irrigation networks
- For aggressive soils (maritime soils, peaty, ...)

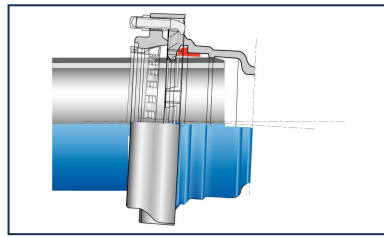
Main characteristics:

- External and internal coating : Blue epoxy powder 250 microns average thickness with a minimum of 200 microns, conforming to EN 14901-1 (PECB)
- In conformity with EN 545:2010 and ISO 2531:2009

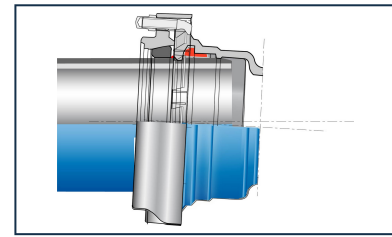
Linked products



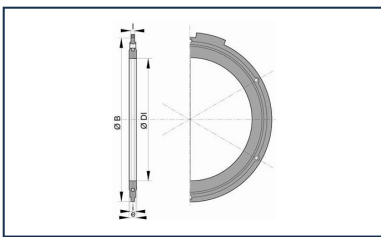
Kit Standard Fitting PECB
+ Standard Vi Gasket



Kit Standard Fitting PECB
+ Standard V+i Joint



Kit Standard Fitting PECB
+ Standard Ve Joint



Flanged joint with hot
galvanized steel bolts,
nuts and washers for
sewage

The information on this sketch is, to the best of our knowledge correct at the time of printing. However Saint-Gobain are constantly looking at ways of improving their products and services therefore reserve the right to change without prior notice, any of the data shown. Any orders placed will be subject to our Standard Conditions of Sale, available on request.