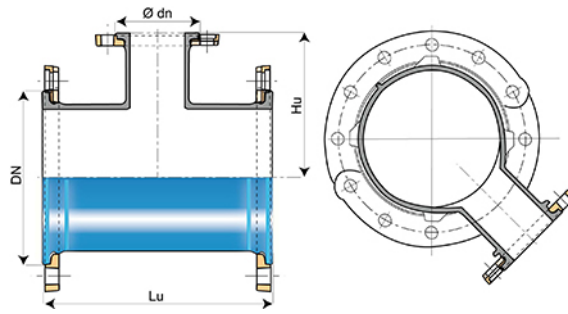


Washout Tee (PECB) with 3 Rotatable Flanges



				PN 10		PN 16		PN 25	
DN (mm)	Ødn (mm)	Lu (mm)	Hu (mm)	Mass (kg)	References	Mass (kg)	References	Mass (kg)	References
250	100	425	270	46.90	BAB25UV1FTT2	46.90	BAB25UV2FTT2	53.40	BAB25UV3FTT2
300	100	450	300	62.50	BAB30UV1FTT2	61.50	BAB30UV2FTT2	70.40	BAB30UV3FTT2
350	100	470	330	81.06	BAB35UV1FTT2	83.37	BAB35UV2FTT2	96.50	BAB35UV3FTT2
400	100	490	360	104.90	BAB40UV1FTT2	114.35	BAB40UV2FTT2	134.61	BAB40UV3FTT2
450	100	515	390	119.49	BAB45UV1FTT2	129.57	BAB45UV2FTT2		
500	100	535	420	144.27	BAB50UV1FTT2	171.57	BAB50UV2FTT2	185.54	BAB50UV3FTT2
600	200	700	500	223.02	BAB60UV1KTT2	275.73	BAB60UV2KTT2	283.40	BAB60UV3KTT2

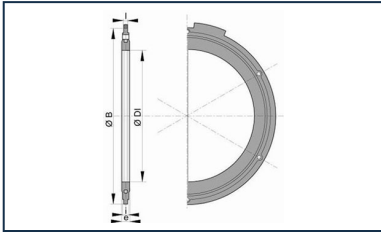
Field of use:

- For drinking water networks

Main characteristics:

- External and internal coating : Blue epoxy powder 250 microns average thickness with a minimum of 200 microns, conforming to EN 14901 (PECB)
- In conformity with EN 545:2010 and ISO 2531:2009

Linked products



Flanged joint with hot galvanized steel bolts, nuts and washers

The information on this sketch is, to the best of our knowledge correct at the time of printing. However Saint-Gobain are constantly looking at ways of improving their products and services therefore reserve the right to change without prior notice, any of the data shown. Any orders placed will be subject to our Standard Conditions of Sale, available on request.