

## RFLEX - Coupling Large Tolerance



- DN350 - DN1200 (OD 340 mm to OD 1268 mm) \*\*
- PFA16 \*\*
- Grey & ductile cast iron, Steel, PVC pressure pipe, PE
- Drinking water and raw water
- Carbon steel body coated with RILSAN<sup>®</sup> 11, thickness 250μ
- EPDM seal (drinking water/raw water) or NBR seal (wastewater)
- GEOMET steel or A2 stainless steel tie rods (optional)
- Tolerance of 24 to 30 mm depending on DN
- Angular deviation  $\pm 3^\circ$  DN350-DN700
- Angular deviation  $\pm 2^\circ$  DN800-DN900
- Angular deviation  $\pm 1.5^\circ$  DN1000 and above

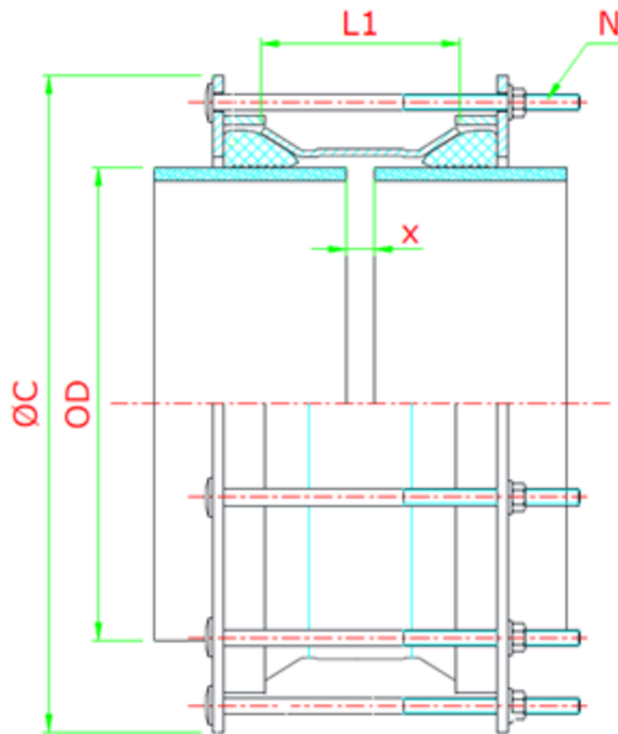
\*\* Other DN, PFA, please consult us

The RFLEX range of large tolerance, multi-material, non-locking sleeves guarantees a watertight seal on all types of cast iron/steel pipes and PVC/PE pipes from DN350 to DN1200 PFA16.

The tie rods compress the seals to achieve a perfect seal. The seal is truncated conical, which ensures optimal positioning on the pipe while allowing a tolerance of up to 24 mm (DN>600) or 30 mm (DN<600) on the outside diameter.

The part is coated with RILSAN<sup>®</sup>11, a high-performance biological polyamide made from castor beans. This coating offers an exceptional level of versatility, safety, durability, and resistance to permeation.

							PFA 16 bar
DN	J Mini - Maxi	L1 (mm)	ØC (mm)	X mini/X maxi (mm)	Number	Mass (kg)	References
350	365-395	170	571	20-60	10	37.00	MCB35D395XCARG
400	410-440	170	616	20-60	10	42.00	MCB40D440XCARG
450	465-495	170	671	20-60	12	47.00	MCB45D495XCARG
500	518-548	170	724	20-60	12	53.00	MCB50D548XCARG
600	620-650	170	826	20-60	14	60.00	MCB60D650XCARG
700	726-750	170	893	20-60	16	72.00	MCB70D750XCARG
800	824-848	170	991	20-60	18	83.00	MCB80D848XCARG
900	934-958	170	1101	20-60	20	92.00	MCB90D958XCARG
1000	1036-1060	170	1203	20-60	22	102.00	MCC10D1060XCARG
1100	1140-1164	170	1307	20-60	24	111.00	MCC11D1164XCARG
1200	1244-1268	170	1411	20-60	26	119.00	MCC12D1268XCARG



## Product description



### 1- Central body

Central part made of RILSAN<sup>®</sup> 11-coated carbon steel. The tapered ends ensure uniform compression of the seals without creep.

### 2- Compression ring

RILSAN<sup>®</sup> 11-coated carbon steel compression flange, which compresses the seal onto the pipe surface when the bolts are tightened.

### 3- Gasket

Truncated cone-shaped gasket that fits perfectly between the connector body and the pipe. It provides a complete seal and a tolerance of 24 or 30 mm on the pipe's OD.

### 4- Bolt holes

Round or square holes for housing the bolts.

### 5- Compression tie rods

Made of GEOMET-coated steel or stainless steel, they bring the two compression parts together and ensure the sleeve is sealed.

## Material and coatings



Reference	Designation	Material	Coating
1	Central body	Carbon steel	RILSAN®11
2	Compression ring	Carbon steel	RILSAN®11
3	Sealing gasket	EPDM or NBR	
5	Tie rod	GEOMET steel or stainless steel	

## Installation instructions

See our [Installation Instructions](#)

*The information on this sketch is, to the best of our knowledge correct at the time of printing. However Saint-Gobain are constantly looking at ways of improving their products and services therefore reserve the right to change without prior notice, any of the data shown. Any orders placed will be subject to our Standard Conditions of Sale, available on request.*