

RFLEX - Coupling Large Tolerance anchored PFA25



The RFLEX range of multi-material, wide tolerance flange sleeves guarantees tightness and tensile strength on all types of cast iron/steel pipes and PVC/PE pipes from DN50 to DN250 PFA25.

Very quick and easy to install, RFLEX allows independent adjustment of the locking and sealing mechanisms.

Independently adjustable C40 hardened steel inserts ensure locking. The gap left between the screw and the insert guarantees optimal positioning of the insert on the pipe surface when tightening. The specific shape of the teeth allows for clamping, ensuring high tear resistance. The insert can be mounted and removed without damaging the coating. The possible angular deviation is $\pm 4^\circ$.

A RILSAN®11-coated carbon steel retention and anti-disengagement ring at each end increases tear resistance by guiding the inserts and preventing them from rotating. It promotes better sealing by preventing the tie rods from rotating during tightening. It also protects the inserts from external contamination.

The 8.8 corrosion-resistant steel tie rods connect the flange to the fitting. They compress the gasket to achieve a perfect seal. The EPDM gasket is truncated conical, which ensures optimal positioning on the pipe while allowing a tolerance of up to 26 mm on the outside diameter.

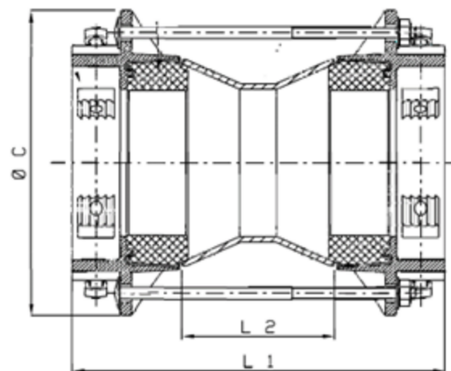
The part is coated with Rilsan® 11, a high-performance biological polyamide made from renewable castor beans. This coating offers an exceptional level of versatility, safety, durability, and resistance to permeation.

- DN50 – DN250 (OD 46 mm to OD 288 mm) – PFA25
- Grey & ductile cast iron, steel, pressure PVC*, PE*
- Drinking water and raw water
- Carbon steel body coated with Rilsan® Polyamide 11
- GEOMET tie rods (A2/A4 stainless steel variant available)
- C40 GEOMET hardened steel locking inserts
- EPDM seal (NBR on request)

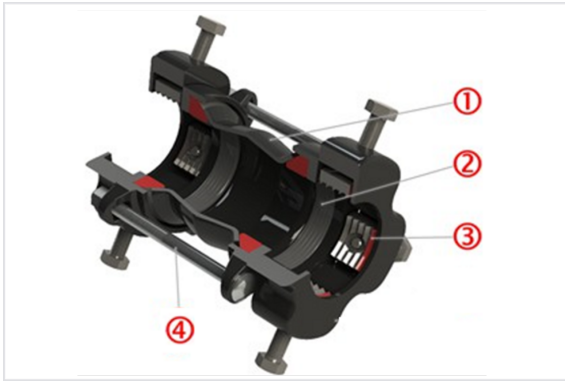
- Tolerance range 30 mm
- Angular deviation $\pm 4^\circ$
- Hydraulic seal independent of mechanical locking

* Use of a reinforcement ring is mandatory

DN	Range (mm)	L1 (mm)	L2 (mm)	ØC (mm)	Tie rods (No./Ø)	Inserts
50	46-76	336	105	280	4/M20	4
65	57-87	336	105	288	4/M20	4
80	78-108	336	105	300	4/M20	4
100	87-117	336	105	320	4/M20	4
100	100-130	336	105	330	4/M20	4
125	117-147	336	105	350	4/M20	4
150	129-159	336	105	360	4/M20	4
150	138-168	336	105	375	4/M20	4
150	152-182	336	105	385	4/M20	4
200	172-202	336	105	400	6/M20	6
200	186-216	336	105	415	6/M20	6
200	198-228	336	105	430	6/M20	6
200	208-238	336	105	440	6/M20	6
250	230-260	336	105	460	6/M20	6
250	246-276	336	105	473	6/M20	6
250	258-288	336	105	489	9/M20	9



Product description



1- Central body

Central part made of GS cast iron coated with RILSAN®11. The conical ends ensure uniform compression of the seals without creep.

2- Seal

Truncated cone-shaped seal that fits perfectly between the connector body and the pipe.

3- Locking insert

Made of GEOMET-coated C40 hardened steel, it locks the pipe in place with high tear resistance thanks to the special profile of the teeth. The clearance between the screw and the insert ensures optimal positioning of the insert on the pipe surface when tightening. The insert can be installed and removed without damaging the coating.

4- Sealing tie rod

Made of 8.8 steel with anti-corrosion treatment, it brings the flange and the connector closer together to compress the seal and ensure the adapter is watertight.

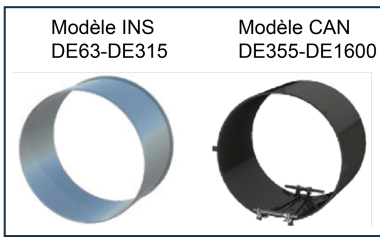
Material and coatings

Reference	Designation	Material	Coating
1	Central body	Carbon steel	RILSAN®11
2	Sealing gasket	EPDM	
3	Insert	Hardened steel C40	GEOMET
5	Tie rod	8.8 steel	GEOMET

Installation instructions

See our [Installation Instructions](#)

Accessories



RFLEX - Reinforcement
rings for PE and PVC
pipes

The information on this sketch is, to the best of our knowledge correct at the time of printing. However Saint-Gobain are constantly looking at ways of improving their products and services therefore reserve the right to change without prior notice, any of the data shown. Any orders placed will be subject to our Standard Conditions of Sale, available on request.