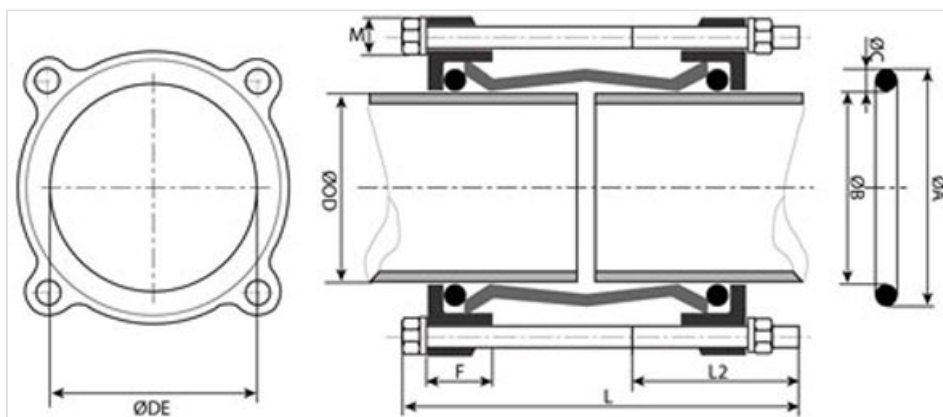


LINK GIBault dedicated to PVC



DN/OD (mm)	ØDE (mm)	PFA	Bolts	F (mm)	L (mm)	ØA (mm)	ØB (mm)	ØC (mm)	Mass (kg)	References
50	54	16 bar	M12x140	5	110	62	46	8	2.00	MCL50GAAH
63	67	16 bar	M12x180	5	130	74	58	8	2.50	MCL63GAAH
75	78	16 bar	M12x180	5	130	88	70	9	3.20	MCL75GAAH
90	94	16 bar	M12x180	5	130	103	85	9	3.80	MCL90GAAH
110	114	16 bar	M12x200	5	150	123	105	9	5.00	MCM11GAAH
125	128	16 bar	M12x200	5	150	138	120	9	5.80	MCM12GAAH
140	143	16 bar	M12x200	5	150	159	135	12	7.00	MCM14GAAH
160	164	16 bar	M12x250	6	190	179	155	12	9.70	MCM16GAAH
200	203	16 bar	M12x250	6	190	219	195	12	13.50	MCM20GAAH



Application

The brand LINK-GIBAULT for PVC is designed for transportation and water distribution, fire protection and irrigation with plastic piping PVC-U PN10 and 16 DE/OD from 50 to 200 mm.

Technical specifications

The GIBAULT link is:

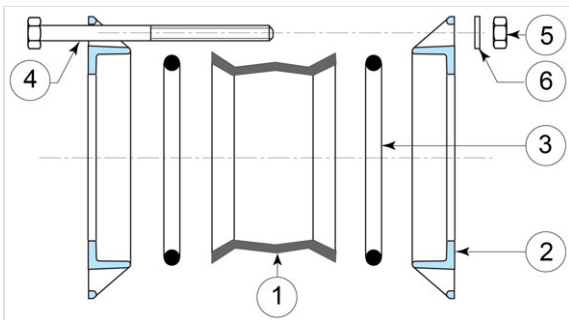
- Dedicated but valid only for PVC-U
- Simple, with locking inserts
- Mechanical because tightness is achieved by tightening the screws with the bolts.

The body and flanges of the PVC links are made of ductile iron coated with epoxy powder 250 microns.

The product is tested at our technical center according to EN12842-2021.

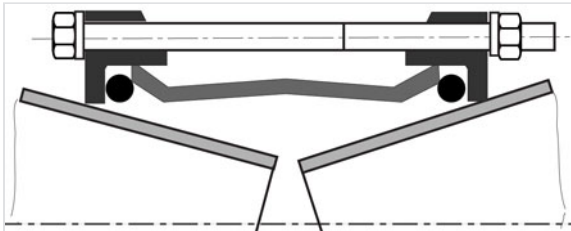
Maximum possible angular deviation between two pipes is $2 \times 2,5^\circ$.

Materials and coatings



Item	Designation	Materials	Coatings
1	Body	Ductile iron GS	Blue epoxy powder 250 microns average thickness with a minimum of 200 microns, conforming to EN 14901-1 (PECB)
2	Ring	Ductile iron GS	Blue epoxy powder 250 microns average thickness with a minimum of 200 microns, conforming to EN 14901-1 (PECB)
3	Gasket	Elastomer EPDM	
4	Bolts	Steel clas 6.8	Geomet 720 plus VLH
5	Screw	Steel clas 6.8	Geomet 720 plus VLH
6	Washer	Steel clas 6.8	Geomet 720 plus VLH

Installation



DN	Deviation end 1	Deviation end 2	Maximum deviation
50-140	± 2.5°	± 2.5°	± 5°
160-315	± 2°	± 2°	± 4°

Maximum torque on bolts

DN50-200 : 3 m/daN

Marking



The traceability sticker is present on the body and individual packing.

- Size sticker: 60 mm x 30 mm
- Details: Adhesive, white background, black writing

Compliance

- ISO 2531 : Piping, adaptors and accessories in ductile iron
- EN 681-1 : EPDM gaskets
- EN 12842-2012 : type tests on the adaptors of plastics tubing PE/PVC
- EN 14901: Piping, connectors and accessories epoxy coated in ductile iron
- DIN 931 and DIN 934: Bolts
- ACS n° 20ACCLY155

Packing



1. Pallet – wood treated by fumigation according to NIMP15
2. Layer - wood treated by fumigation according to NIMP15
3. Cap – plywood

Dimensions of the wooden box: 1200mm x 800 mm x 1100 mm.

Specification of the packing for each reference

No	DE	Référence	Masse unitaire	Quantité/Rang	Rangs/Caisse	Quantité/Caisse	Masse/Caisse
1	50	MCL50GAAH	2	77	5	385	755
2	63	MCL63GAAH	2.5	60	4	240	598
3	75	MCL75GAAH	3.1	54	4	216	678
4	90	MCL90GAAH	4.1	40	4	160	659
5	110	MCM11GAAH	5.6	35	4	140	777
6	125	MCM12GAAH	6.3	24	4	96	606
7	140	MCM14GAAH	7.3	15	4	60	435
8	160	MCM16GAAH	9.0	15	3	45	404
9	200	MCM20GAAH	11.6	8	3	24	279

Packing sticker :

- Clip on the sides of the pallet
- Dimensions sticker : 120mm * 40mm
- Information on the quantity and product inside the pallet

The information on this sketch is, to the best of our knowledge correct at the time of printing. However Saint-Gobain are constantly looking at ways of improving their products and services therefore reserve the right to change without prior notice, any of the data shown. Any orders placed will be subject to our Standard Conditions of Sale, available on request.