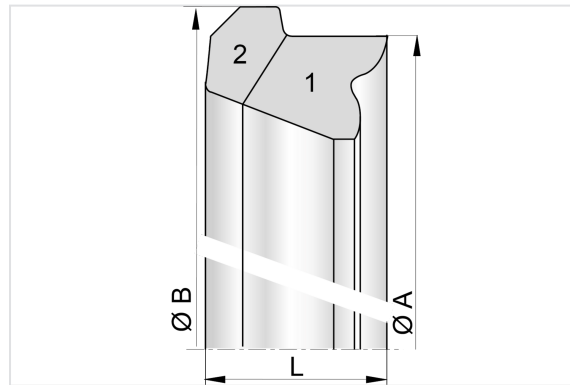


Nitrile Standard Gasket NBR Dual Hardness



The STANDARD Dual Hardness gasket is only used on STANDARD socket pipes.

As the STANDARD joint, the STANDARD Dual Hardness joint is a push-on joint ; the watertightness is made by the compression of the elastomer gasket which operates during the assembling by the introduction of the spigot end inside the socket.

The STANDARD Dual Hardness gasket consists of a monobloc elastomer ring into two parts:

- Part 1 (see technical drawing): a flexible NBR elastomer ring, which ensures the watertightness function, when the pipeline is under pressure
- Part 2 (see technical drawing): an NBR hard elastomer ring vulcanised together with part 1, which provides the anti-expulsion function

DN (mm)	L (mm)	ØA (mm)	ØB (mm)	Mass (kg)	References
80	29.8	127.5	135.7	0.15	JSA80BT
100	29.8	148.6	158.6	0.20	JSB10BT
125	30.6	175.7	185.7	0.25	JSB12BT
150	30.6	202.1	212.1	0.28	JSB15BT
200	31.7	250.5	260.5	0.39	JSB20BT
250	32.6	303.5	313.5	0.49	JSB25BT
300	35.9	359.5	369.5	0.71	JSB30BT
350	37.8	414	422	0.92	JSB35BT
400	38.8	466.5	474.5	1.09	JSB40BT
500	41.8	573.4	581.4	1.59	JSB50BT
600	45	680.2	690.2	2.24	JSB60BT
700	48.2	787.6	797.6	3.02	JSB70BT

DN (mm)	L (mm)	ØA (mm)	ØB (mm)	Mass (kg)	References
800	51.4	895.4	905.4	3.86	JSB80BT
900	54.6	1002.3	1012.3	4.85	JSB90BT
1000	57.8	1109.1	1119.1	5.99	JSC10BT

Field of use

- For sewage networks under pressure and full pipes
- Waste water, raw water, mixed sanitary and rain water of roadway system
- For mineral acid effluents and base (pH1 to pH13)
- For organic acid effluents and base (pH3 to pH12)
- Hydrocarbon traces accepted
- No industrial water (please consult our Technical Department)
- In case of polluted grounds, please consult our Technical Department

Main characteristics

- Standard gasket in Nitrile NBR
- EN 598, EN 681.1 WG
- Designed according to the regulatory texts:
 - NF EN 476: general prescriptions for components used in the networks
 - NF EN 752: Conception of sewage projects
 - NF EN 1610: Reception of the works
 - CCTG: Fascicule 70 (sewage work)

The information on this sketch is, to the best of our knowledge correct at the time of printing. However Saint-Gobain are constantly looking at ways of improving their products and services therefore reserve the right to change without prior notice, any of the data shown. Any orders placed will be subject to our Standard Conditions of Sale, available on request.