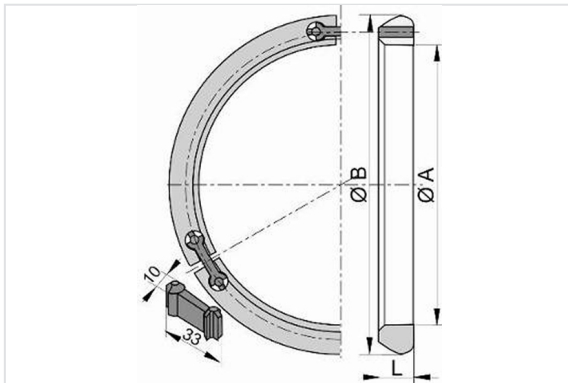
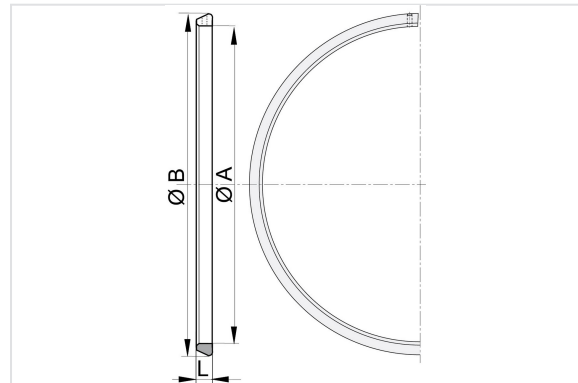


Locking Ring for UNI Ve joint DN80-1800

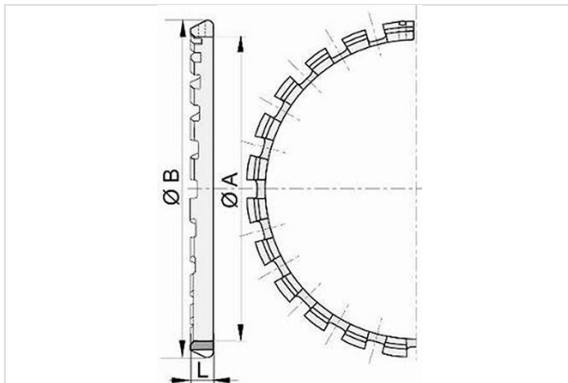
DN80-200



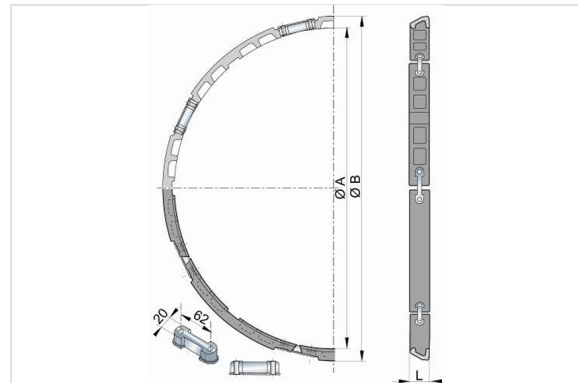
DN400-700



DN250-350



DN800-1600



| DN (mm) | ØB (mm) | ØA (mm) | L (mm) | Mass (kg) | References |
|---------|---------|---------|--------|-----------|------------|
| 80 | 126.9 | 97.2 | 18 | 0.45 | 240105 |
| 100 | 146.9 | 117.1 | 18 | 0.60 | 110259 |
| 125 | 179.3 | 143 | 18 | 0.64 | 124151 |
| 150 | 199.2 | 169 | 20 | 0.83 | AKB15E |
| 200 | 255 | 221 | 22 | 1.40 | AKB20E |
| 250 | 304.6 | 270 | 22 | 1.30 | AKB25E |
| 300 | 356.9 | 321.7 | 24 | 1.80 | AKB30E |
| 350 | 408.9 | 373.6 | 24 | 3.20 | JKB35E |
| 400 | 459.3 | 425 | 24 | 3.20 | JKB40E |
| 450 | 510.8 | 475.2 | 25 | 3.90 | JKB45E |

| DN (mm) | ØB (mm) | ØA (mm) | L (mm) | Mass (kg) | References |
|---------|---------|---------|--------|-----------|------------|
| 500 | 563.3 | 527.7 | 25 | 4.30 | JKB50E |
| 600 | 666.5 | 629.5 | 30 | 6.20 | JKB60ERC |
| 700 | 776.5 | 732.7 | 30 | 9.00 | 110671 |
| 800 | 898.4 | 838.4 | 50 | 15.40 | JFB80S |
| 900 | 1009 | 941 | 52 | 20.80 | JFB90S |
| 1000 | 1112 | 1044 | 52 | 22.95 | JFC10S |
| 1100 | 1217 | 1149 | 50 | 22.95 | JFC11S |
| 1200 | 1312 | 1250 | 55 | 25.00 | JFC12S |
| 1400 | 1534 | 1456 | 60 | 38.00 | JFC14S |
| 1500 | 1636 | 1558 | 60 | 40.80 | JFC15S |
| 1600 | 1739.4 | 1661.4 | 55 | 38.40 | JFC16S |
| 1800 | 1963.2 | 1873.2 | 60 | 48.00 | JFC18S |

Field of use:

- For drinking water networks used in extreme situations
- Reinforced durability

Main characteristics:

- Monobloc anchoring ring with a spherical external shape or composed with parts.
- EN 545

The information on this sketch is, to the best of our knowledge correct at the time of printing. However Saint-Gobain are constantly looking at ways of improving their products and services therefore reserve the right to change without prior notice, any of the data shown. Any orders placed will be subject to our Standard Conditions of Sale, available on request.