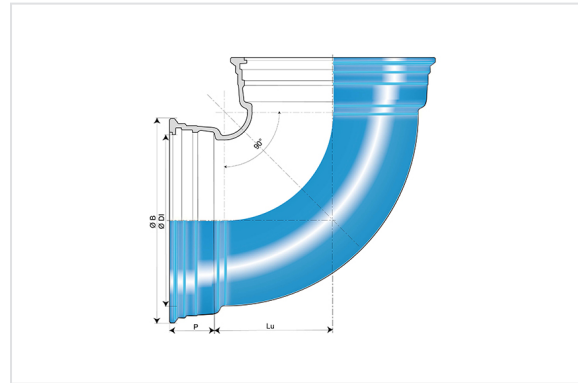
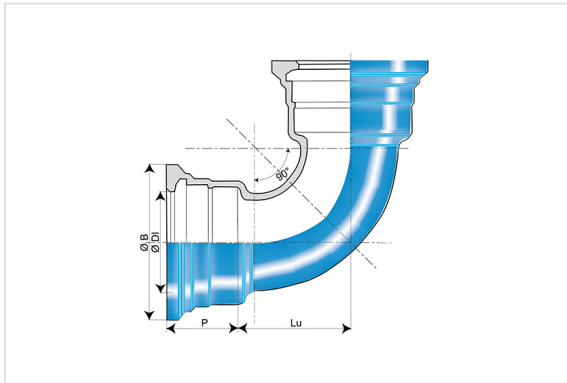


### Bend 90° (1/4) (PECB) with 2 sockets STANDARD



Angle	DN (mm)	Lu (mm)	P (mm)	ØDI (mm)	ØB (mm)	Mass (kg)	References
90°	60	75	82	80.2	143.5	6.20	SSA60CA00TT
90°	80	91.5	85	101.4	167.5	7.60	SSA80CA00TT
90°	100	105	88	121.4	187.5	10.00	SSB10CA00TT
90°	150	152.5	94	173.4	241	18.10	SSB15CA00TT
90°	200	200	100	225.5	294	29.20	SSB20CA00TT
90°	250	252	105	277.3	351	49.60	SSB25CA00TT
90°	300	304	110	329.3	408.3	72.70	SSB30CA00TT
90°	350	365	110	381.9	464.3	75.29	SSB35CA00TT2
90°	400	409	112	432.9	515.3	96.71	SSB40CA00TT2
90°	450	455	115.5	484	573	127.47	SSB45CA00TT2
90°	500	495	117.5	536	628	155.40	SSB50CA00TT2
90°	600	624	132.5	638.6	737	311.00	SSB60CA00TT
90°	700	670	150	742.2	863	584.00	SSB70CA00TT
90°	800	735	160	846.3	974	696.00	SSB80CA00TT
90°	900	880	175	949.4	1082	800.00	SSB90CA00TT
90°	1000	1000	185	1052.5	1191	1461.00	SSC10CA00TT
90°	1200	1200	195	1255	1412.5	2328.00	SSC12CA00TT

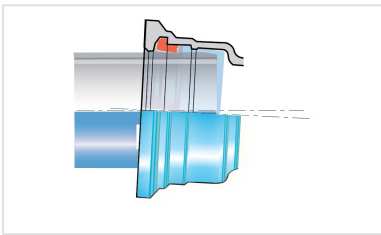
### Field of use:

- For drinking water and irrigation networks
- For aggressive soils (maritime soils, peaty, ...)

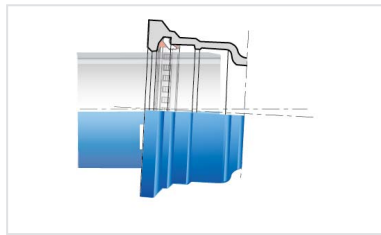
### Main characteristics:

- External and internal coating : Blue epoxy powder 250 microns average thickness with a minimum of 200 microns, conforming to EN 14901-1 (PECB)
- In conformity with EN 545:2010 and ISO 2531:2009

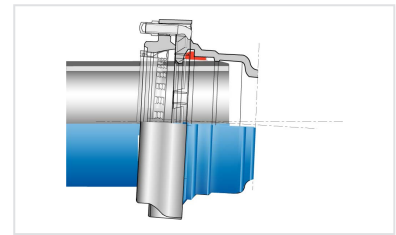
### Linked products



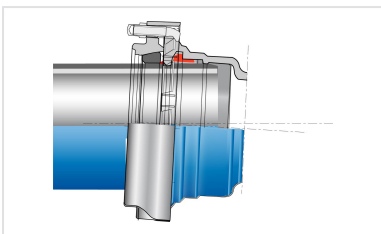
Kit Standard Bend PECB +  
Standard Gasket



Kit Standard Fitting PECB +  
Standard Vi Gasket



Kit Standard Fitting PECB +  
Standard V+i Joint



Kit Standard Fitting PECB +  
Standard Ve Joint

*The information on this sketch is, to the best of our knowledge correct at the time of printing. However Saint-Gobain are constantly looking at ways of improving their products and services therefore reserve the right to change without prior notice, any of the data shown. Any orders placed will be subject to our Standard Conditions of Sale, available on request.*