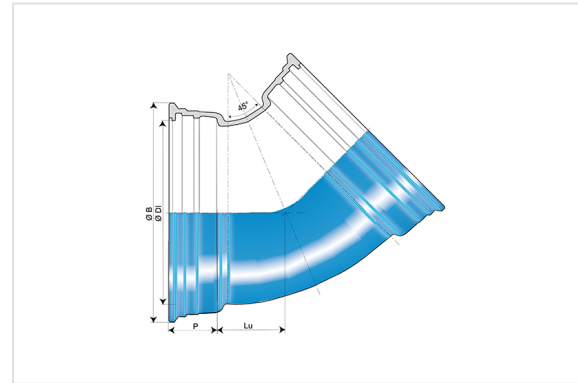
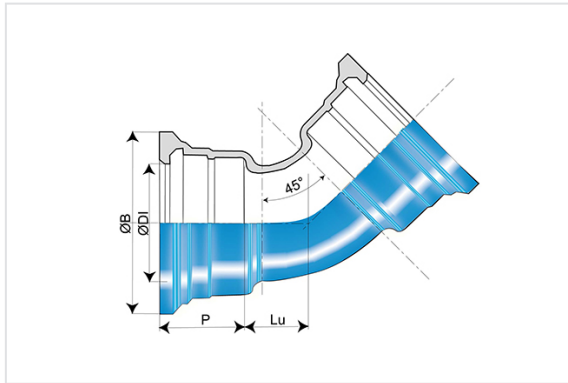


Bend 45° (1/8) (PECB) with 2 sockets STANDARD



Angle	DN (mm)	Lu (mm)	P (mm)	ØDI (mm)	ØB (mm)	Mass (kg)	References
45°	60	76	82	80.2	143.5	6.50	SSA60CB00TT
45°	80	56.5	85	101.4	167.5	7.00	SSA80CB00TT
45°	100	65	88	121.4	187.5	8.90	SSB10CB00TT
45°	125	83.5	91	147.4	214.5	12.30	SSB12CB00TT
45°	150	92.5	94	173.4	241	15.60	SSB15CB00TT
45°	200	100	100	225.5	294	23.70	SSB20CB00TT
45°	250	136	105	277.3	351	40.50	SSB25CB00TT
45°	300	167.5	110	329.3	408.3	59.00	SSB30CB00TT
45°	350	156.25	110	381.9	464.3	58.90	SSB35CB00TT2
45°	400	175	112	432.9	515.3	72.00	SSB40CB00TT2
45°	450	198.75	115.5	484	573	90.09	SSB45CB00TT2
45°	500	217.5	117.5	536	628	125.06	SSB50CB00TT2
45°	600	260	132.5	639.1	737	185.01	SSB60CB00TT2
45°	700	335.5	150	742.2	863	310.50	SSB70CB00TT
45°	800	364.5	160	846.3	974	414.10	SSB80CB00TT
45°	900	403.5	175	949.4	1082	545.10	SSB90CB00TT
45°	1000	439.5	185	1052.5	1191	703.30	SSC10CB00TT
45°	1100	540	190	1155	1300	980.00	SSC11CB00TT
45°	1200	537.5	195	1263	1412.5	1015.00	SSC12CB00TT
45°	1400	522	255	1467	1600	1555.00	SSC14CB00TT
45°	1500	572	280	1570	1742	1815.00	SSC15CB00TT
45°	1600	563	275	1673	1820	2089.00	SSC16CB00TT

Angle	DN (mm)	Lu (mm)	P (mm)	ØDI (mm)	ØB (mm)	Mass (kg)	References
45°	1800	642	258	1881.7	2038.2	3126.00	SSC18CB00TT
45°	2000	685	290	2089	2269	3702.00	SSC20CB00TT

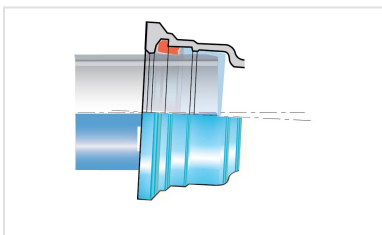
Field of use:

- For drinking water and irrigation networks
- For aggressive soils (maritime soils, peaty, ...)

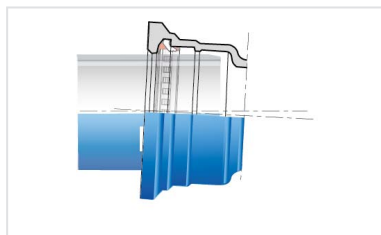
Main characteristics:

- External and internal coating : Blue epoxy powder 250 microns average thickness with a minimum of 200 microns, conforming to EN 14901-1 (PECB)
- In conformity with EN 545:2010 and ISO 2531:2009

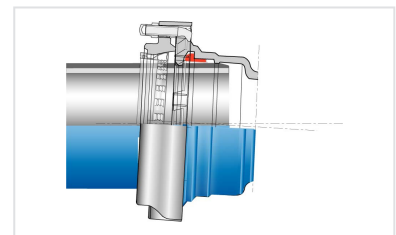
Linked products



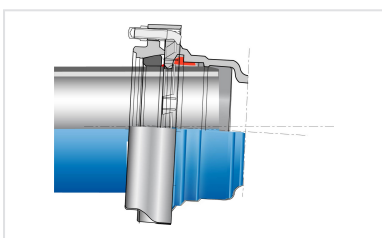
Kit Standard Bend PECB +
 Standard Gasket



Kit Standard Fitting PECB +
 Standard Vi Gasket



Kit Standard Fitting PECB +
 Standard V+i Joint



Kit Standard Fitting PECB +
 Standard Ve Joint



NATURAL SUPPLY, TREATMENT AND DISTRIBUTION DN 60 - 2000

06/05/2026
WARSF21STD362

The information on this sketch is, to the best of our knowledge correct at the time of printing. However Saint-Gobain are constantly looking at ways of improving their products and services therefore reserve the right to change without prior notice, any of the data shown. Any orders placed will be subject to our Standard Conditions of Sale, available on request.