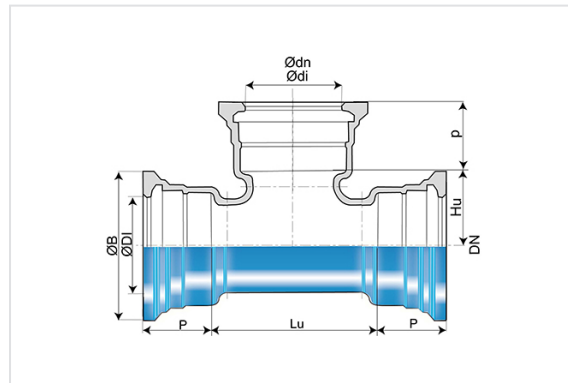


Tee (PECB) with 3 sockets STANDARD



DN (mm)	Ødn (mm)	Lu (mm)	P (mm)	ØDI (mm)	ØB (mm)	Hu (mm)	p (mm)	Ødi (mm)	Mass (kg)	References
80	80	183	85	101.4	167.5	91.5	85	101.4	11.20	SSA80TE0ETT
100	100	210	88	121.4	187.5	105	88	121.4	14.90	SSB10TE0FTT
150	100	190	94	173.4	241	140	88	121.4	19.80	SSB15TE0FTT
150	150	305	94	173.4	241	152.5	94	173.4	27.00	SSB15TE0JTT
200	100	195	100	225.5	294	170	88	121.4	27.50	SSB20TE0FTT
200	150	250	100	225.5	294	177.5	94	173.4	32.30	SSB20TE0JTT
200	200	360	100	225.5	294	180	100	225.5	40.70	SSB20TE0KTT
250	250	350	105	277.8	351	165	105	277.8	49.70	SSB25TE0LTT2
350	350	495	110	381.4	464.3	250	110	381	110.00	SSB35TE0YTT
400	400	560	112	432.4	515.3	280	112	432	128.00	SSB40TE0NTT
500	500	680	117.5	535.5	628	340	117.5	535	219.00	SSB50TE0QTT
600	600	800	132.5	638.6	737	400	132.5	638	322.00	SSB60TE0RTT

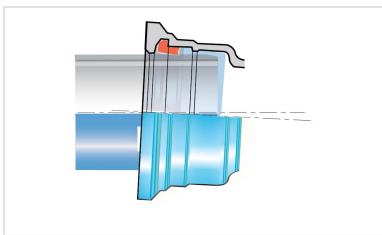
Field of use:

- For drinking water and irrigation networks
- For aggressive soils (maritime soils, peaty, ...)

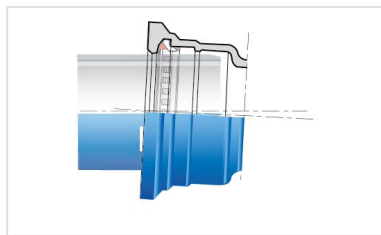
Main characteristics:

- External and internal coating : Blue epoxy powder 250 microns average thickness with a minimum of 200 microns, conforming to EN 14901-1 (PECB)
- In conformity with EN 545:2010 and ISO 2531:2009

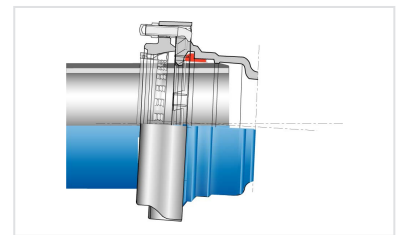
Linked products



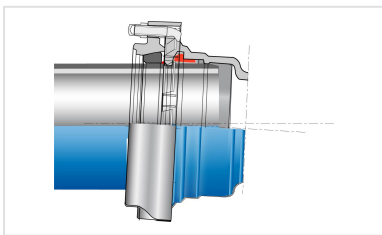
Kit Standard All Socket Tee
PECB + Standard Gasket



Kit Standard Fitting PECB +
Standard Vi Gasket



Kit Standard Fitting PECB +
Standard V+i Joint



Kit Standard Fitting PECB +
Standard Ve Joint

The information on this sketch is, to the best of our knowledge correct at the time of printing. However Saint-Gobain are constantly looking at ways of improving their products and services therefore reserve the right to change without prior notice, any of the data shown. Any orders placed will be subject to our Standard Conditions of Sale, available on request.