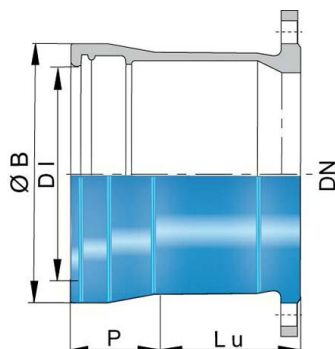


Flange Socket (PECB) with socket TYTON DN80-300



DN (mm)	Lu (mm)	P (mm)	ØDI (mm)	ØB (mm)	PN 10		PN 16		PN 25	
					Mass (kg)	References	Mass (kg)	References	Mass (kg)	References
80	130	84	100,5	167	7,50	SYA80BE10TT	7,50	SYA80BE10TT	7,50	SYA80BE10TT
100	130	88	120,5	188	9,10	SYB10BE10TT	9,10	SYB10BE10TT		
125	135	91	146,5	215						
150	135	94	172,5	242	15,30	SYB15BE10TT	15,30	SYB15BE10TT		
200	140	100	224,5	295	20,00	SYB20BE10TT	20,00	102909		
250	145	105	276,5	352	29,00	101661	29,00	103267		
300	150	110	328,5	410	36,50	102753	36,00	102908		

Field of use:

- For drinking water and irrigation networks
- For aggressive soils (maritime soils, peaty, ...)

Main characteristics:

- External and internal coating : Blue epoxy powder 250 microns average thickness with a minimum of 200 microns, conforming to EN 14901-1 (PECB)
- In conformity with EN 545:2010 and ISO 2531:2009