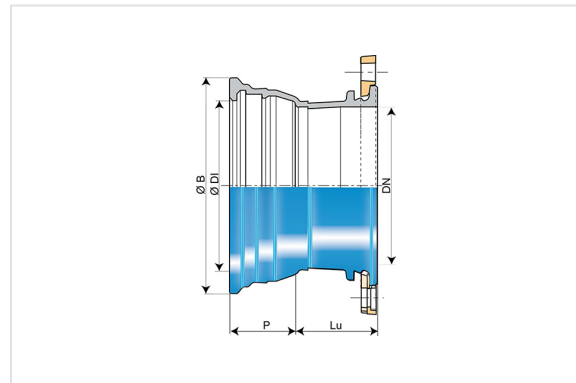
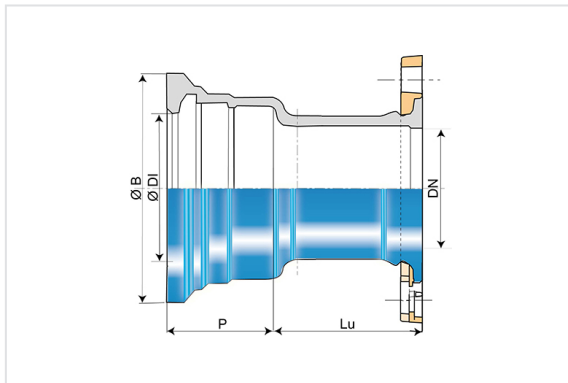


Flange Socket (PECB) with socket STANDARD (and Rotatable Flange or Fixed Flange)



DN (mm)	Lu (mm)	P (mm)	ØDI (mm)	ØB (mm)	PN 10		PN 16		PN 25	
					Mass (kg)	References	Mass (kg)	References	Mass (kg)	References
60	142	82	80.2	143.5	5.90	SSA60BE10TT	5.90	SSA60BE10TT		
80	110	85	101.4	167.5	7.20	SSA80BE10TT	7.20	SSA80BE10TT	7.20	SSA80BE10TT
100	110	88	121.4	187.5	8.70	SSB10BE10TT	8.70	SSB10BE10TT	10.00	SSB10BE30TT
125	110	91	147.4	214.5	11.00	SSB12BE10TT	11.00	SSB12BE10TT		
150	115	94	173.4	241	13.80	SSB15BE10TT	13.80	SSB15BE10TT	14.80	SSB15BE30TT
200	120	100	225.5	294	20.40	SSB20BE10TT	20.30	SSB20BE20TT	23.50	SSB20BE30TT
250	135	105	277.3	351	31.30	SSB25BE10TT	30.90	SSB25BE20TT	33.90	SSB25BE30TT
300	130	110	329.3	408.3	42.00	SSB30BE10TT	41.30	SSB30BE20TT	44.90	SSB30BE30TT
350	130	110	381.9	464.3	49.67	SSB35BE10TT2	50.82	SSB35BE20TT2	56.70	SSB35BE30TT2
400	135	112	432.9	515.3	60.06	SSB40BE10TT2	64.79	SSB40BE20TT2	74.24	SSB40BE30TT2
450	140	115.5	484	573	70.88	SSB45BE10TT2	75.92	SSB45BE20TT2	86.10	SSB45BE30TT2
500	145	117.5	536	628	89.67	SSB50BE10TT2	103.32	SSB50BE20TT2	109.62	SSB50BE30TT2
600	155	132.5	639.1	737	122.64	SSB60BE10TT2	148.89	SSB60BE20TT2	152.04	SSB60BE30TT2
700	190	150	742.2	861	161.00	SSB70BE10TT	166.00	SSB70BE20TT	196.00	SSB70BE30TT
800	200	160	846.3	972	211.00	SSB80BE10TT	220.00	SSB80BE20TT	274.00	SSB80BE30TT
900	210	175	949.4	1080	258.00	SSB90BE10TT	268.00	SSB90BE20TT	319.00	SSB90BE30TT
1000	220	185	1052.5	1189	342.00	SSC10BE10TT	359.00	SSC10BE20TT	425.00	SSC10BE30TT
1100	220	150	1155	1298	350.00	SSC11BE10TT	386.00	SSC11BE20TT	459.00	SSC11BE30TT
1200	240	195	1263	1412	443.00	SSC12BE10TT	484.00	SSC12BE20TT		
1400	310	255	1467	1600	716.00	SSC14BE10TT	768.00	SSC14BE20TT		

DN (mm)	Lu (mm)	P (mm)	ØDI (mm)	ØB (mm)	PN 10		PN 16		PN 25	
					Mass (kg)	References	Mass (kg)	References	Mass (kg)	References
1600	330	275	1673	1820			1046.00	SSC16BE20TT	1203.00	SSC16BE30TT
1800	387	258	1881.7	2038	1212.00	SSC18BE10TT				
2000	395	290	2089	2269	1659.00	SSC20BE10TT				

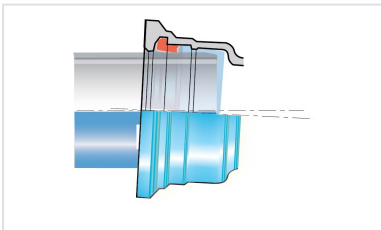
Field of use:

- For drinking water and irrigation networks
- For aggressive soils (maritime soils, peaty, ...)

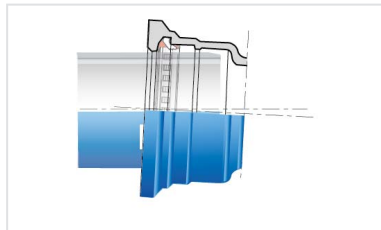
Main characteristics:

- External and internal coating : Blue epoxy powder 250 microns average thickness with a minimum of 200 microns, conforming to EN 14901-1 (PECB)
- In conformity with EN 545:2010 and ISO 2531:2009

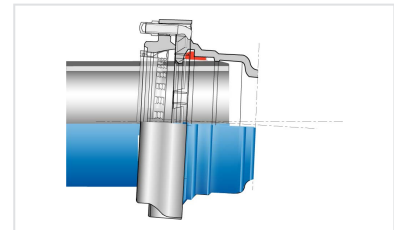
Linked products



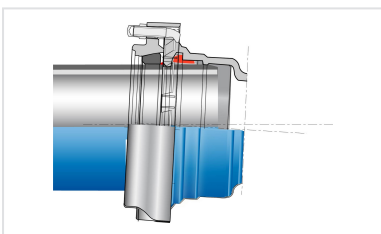
Kit Standard Flanged
Socket PECB + Standard
Gasket



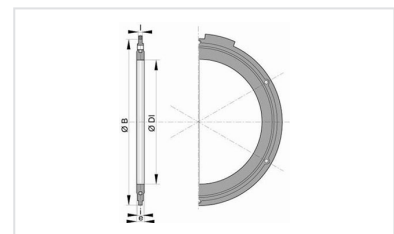
Kit Standard Fitting PECB +
Standard Vi Gasket



Kit Standard Fitting PECB +
Standard V+i Joint



Kit Standard Fitting PECB +
Standard Ve Joint



Flanged joint with hot
galvanized steel bolts, nuts
and washers



NATURAL SUPPLY, TREATMENT AND DISTRIBUTION DN 60 - 2000

06/05/2026
WARSF21STD359

The information on this sketch is, to the best of our knowledge correct at the time of printing. However Saint-Gobain are constantly looking at ways of improving their products and services therefore reserve the right to change without prior notice, any of the data shown. Any orders placed will be subject to our Standard Conditions of Sale, available on request.