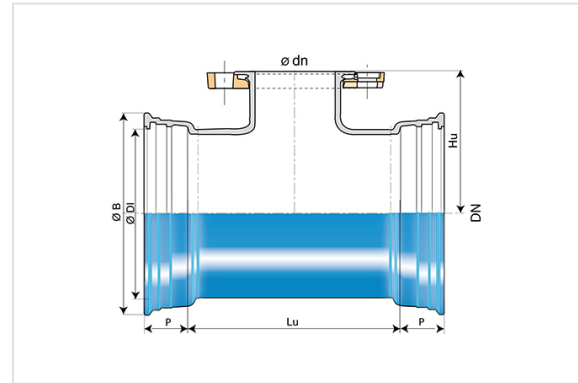
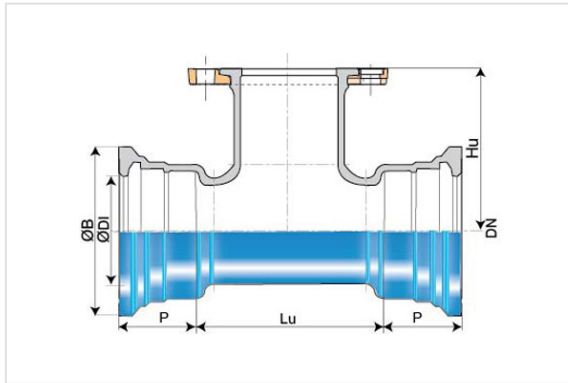


Tee (PECB) with 2 sockets STANDARD and Rotatable Flange branch



DN (mm)	Ødn (mm)	Lu (mm)	Hu (mm)	P (mm)	ØDI (mm)	ØB (mm)	PN 10		PN 16		PN 25	
							Mass (kg)	References	Mass (kg)	References	Mass (kg)	References
60	60	154	161	82	80.2	143.5	9.70	SSA60UD1CTT	9.70	SSA60UD1CTT		
80	40	145	149	85	101.4	167.5	10.20	SSA80UD1ATT	10.20	SSA80UD1ATT	10.20	SSA80UD1ATT
80	60	145	169	85	101.4	167.5	11.10	SSA80UD1CTT	11.10	SSA80UD1CTT		
80	80	183	165	85	101.4	167.5	12.50	SSA80UD1ETT	12.50	SSA80UD1ETT	12.50	SSA80UD1ETT
100	40	150	161	88	121.4	187.5	12.00	SSB10UD1ATT	12.00	SSB10UD1ATT	12.00	SSB10UD1ATT
100	60	150	181	88	121.4	187.5	12.90	SSB10UD1CTT	12.90	SSB10UD1CTT		
100	80	185	177	88	121.4	187.5	14.60	SSB10UD1ETT	14.60	SSB10UD1ETT	14.60	SSB10UD1ETT
100	100	210	180	88	121.4	187.5	16.40	SSB10UD1FTT	16.40	SSB10UD1FTT		
125	60	150	184	91	147.4	214.5	15.20	SSB12UD1CTT	15.20	SSB12UD1CTT		
125	80	165	195	91	147.4	214.5	16.80	SSB12UD1ETT	16.80	SSB12UD1ETT	16.80	SSB12UD1ETT
125	100	190	200	91	147.4	214.5	18.50	SSB12UD1FTT	18.50	SSB12UD1FTT		
125	125	267	200	91	147.4	214.5	23.00	SSB12UD1GTT	23.00	SSB12UD1GTT		
150	40	154	176	94	173.4	241	17.10	SSB15UD1ATT	17.10	SSB15UD1ATT	17.10	SSB15UD1ATT
150	60	154	196	94	173.4	241	18.00	SSB15UD1CTT	18.00	SSB15UD1CTT		
150	80	165	210	94	173.4	241	19.60	SSB15UD1ETT	19.60	SSB15UD1ETT	19.60	SSB15UD1ETT
150	100	190	215	94	173.4	241	21.40	SSB15UD1FTT	21.40	SSB15UD1FTT		
150	150	305	220	94	173.4	241	29.50	SSB15UD1JTT	29.50	SSB15UD1JTT		
200	60	159	229.5	100	225.5	294	26.00	SSB20UD1CTT	26.00	SSB20UD1CTT		
200	80	170	240	100	225.5	294	27.00	SSB20UD1ETT	27.00	SSB20UD1ETT	27.00	SSB20UD1ETT
200	100	195	245	100	225.5	294	29.10	SSB20UD1FTT	29.10	SSB20UD1FTT	29.60	SSB20UD3FTT

DN (mm)	Ødn (mm)	Lu (mm)	Hu (mm)	P (mm)	ØDI (mm)	ØB (mm)	PN 10		PN 16		PN 25	
							Mass (kg)	References	Mass (kg)	References	Mass (kg)	References
200	150	250	245	100	225.5	294	34.90	SSB20UD1JTT	34.90	SSB20UD1JTT		
200	200	360	260	100	225.5	294	44.70	SSB20UD1KTT	44.60	SSB20UD2KTT		
250	60	165	260	105	277.8	351	31.40	SSB25UD1CTT2	31.40	SSB25UD1CTT2		
250	80	155	265	105	277.8	351	31.30	SSB25UD1ETT2	31.30	SSB25UD1ETT2	31.30	SSB25UD1ETT2
250	150	235	255	105	277.8	351	39.00	SSB25UD1JTT2	39.00	SSB25UD1JTT2		
250	200	290	265	105	277.8	351	47.00	SSB25UD1KTT2	47.20	SSB25UD2KTT2		
250	250	350	275	105	277.8	351	55.80	SSB25UD1LTT2	55.80	SSB25UD2LTT2		
300	60	165	290	110	329.8	408.3	41.70	SSB30UD1CTT2	41.70	SSB30UD1CTT2		
300	80	155	295	110	329.8	408.3	41.50	SSB30UD1ETT2	41.50	SSB30UD1ETT2	41.50	SSB30UD1ETT2
300	100	180	275	110	329.8	408.3	41.80	SSB30UV1FTT2	41.80	SSB30UV1FTT2		
300	150	235	285	110	329.8	408.3	48.80	SSB30UD1JTT2	48.80	SSB30UD1JTT2		
300	200	295	295	110	329.8	408.3	58.30	SSB30UD1KTT2	58.50	SSB30UD2KTT2		
300	250	380	330	110	329.8	408.3			67.90	SSB30UD2LTT2		
300	300	410	315	110	329.8	408.3	79.10	SSB30UD1MTT2	78.60	SSB30UD2MTT2		
350	60	170	320	110	381.9	464.3	48.41	SSB35UD1CTT2	48.41	SSB35UD1CTT2	48.41	SSB35UD3CTT2
350	80	185	325	110	381.9	464.3	50.09	SSB35UD1ETT2	50.09	SSB35UD1ETT2	50.09	SSB35UD1ETT2
350	150	270	340	110	381.9	464.3	59.85	SSB35UD1JTT2	59.85	SSB35UD1JTT2	61.95	SSB35UD3JTT2
350	200	300	325	110	381.9	464.3	66.50	SSB35UD1KTT2	66.70	SSB35UD2KTT2	68.00	SSB35UD3KTT2
350	250	385	360	110	381.9	464.3	78.50	SSB35UD1LTT2	78.50	SSB35UD2LTT2		
350	300	410	345	110	381.9	464.3	84.80	SSB35UD1MTT2	84.30	SSB35UD2MTT2		
350	350	485	380	110	381.4	464.3	131.00	SSB35UD1YTT	132.00	SSB35UD2YTT		
400	80	175	330	112	432.9	515.3	61.00	SSB40UD1ETT2	61.00	SSB40UD1ETT2	61.00	SSB40UD1ETT2
400	150	245	345	112	432.9	515.3	68.46	SSB40UD1JTT2	68.46	SSB40UD1JTT2		
400	200	300	355	112	432.9	515.3	77.39	SSB40UD1KTT2	77.60	SSB40UD2KTT2		
400	250	385	390	112	432.9	515.3	90.72	SSB40UD1LTT2	90.72	SSB40UD2LTT2	93.45	SSB40UD3LTT2
400	300	415	375	112	432.9	515.3	97.55	SSB40UD1MTT2	97.02	SSB40UD2MTT2		
400	400	535	395	110	432.9	515.3	121.59	SSB40UD1NTT2	126.32	SSB40UD2NTT2	135.77	SSB40UD3NTT2
450	150	270	400	115.5	484	573	86.63	SSB45UD1JTT2	86.63	SSB45UD1JTT2	88.73	SSB45UD3JTT2
450	450	600	460	115.5	483.5	573	201.00	SSB45UD1PTT	207.00	SSB45UD2PTT		
500	150	325	430	117.5	535.5	628	132.20	SSB50UD1JTT	132.20	SSB50UD1JTT	134.20	SSB50UD3JTT
500	200	305	415	117.5	536	628	108.80	SSB50UD1KTT2	109.00	SSB50UD2KTT2	110.40	SSB50UD3KTT2
500	250	443	450	117.5	535.5	628	149.60	SSB50UD1LTT				
500	300	443	460	117.5	535.5	628	188.00	SSB50UD1MTT	188.00	SSB50UD2MTT		

DN (mm)	Ødn (mm)	Lu (mm)	Hu (mm)	P (mm)	ØDI (mm)	ØB (mm)	PN 10		PN 16		PN 25	
							Mass (kg)	References	Mass (kg)	References	Mass (kg)	References
500	400	540	455	117.5	536	628	159.10	SSB50UD1NTT2	163.80	SSB50UD2NTT2		
500	500	655	475	117.5	536	628	256.31	SSB50UD1QTT2	269.96	SSB50UD2QTT2		
600	150	340	490	132.5	638.6	737	168.00	SSB60UD1JTT	168.00	SSB60UD1JTT		
600	300	452	520	132.5	638.6	737	230.30	SSB60UD1MTT	229.60	SSB60UD2MTT		
600	400	545	515	132.5	639.1	737	208.00	SSB60UD1NTT2	213.00	SSB60UD2NTT2		
600	600	800	580	132.5	638.6	737	373.00	SSB60UD1RTT	398.00	SSB60UD2RTT		
700	150	365	520	150	742.2	861	262.20	SSB70UD1JTT	262.20	SSB70UD1JTT	263.00	SSB70UD3JTT
700	200	365	525	150	742.2	861	265.00	SSB70UD1KTT	265.00	SSB70UD2KTT		
700	400	585	555	150	742.2	861	347.00	SSB70UD1NTT	351.00	SSB70UD2NTT		
700	600	915	585	150	742.2	861	474.00	SSB70UD1RTT	499.00	SSB70UD2RTT	502.00	SSB70UD3RTT
800	150	355	580	160	846.3	972	332.00	SSB80UD1JTT	332.00	SSB80UD1JTT	333.00	SSB80UD3JTT
800	200	355	585	160	846.3	972	335.00	SSB80UD1KTT	336.00	SSB80UD2KTT		
800	400	575	615	160	846.3	972	430.00	SSB80UD1NTT	435.00	SSB80UD2NTT		
800	600	1015	645	160	846.3	972	617.00	SSB80UD1RTT	642.00	SSB80UD2RTT	645.00	SSB80UD3RTT
900	200	375	645	175	949.4	1080	420.00	SSB90UD1KTT	419.00	SSB90UD2KTT		
900	400	595	675	175	949.4	1080	532.00	SSB90UD1NTT	536.00	SSB90UD2NTT	545.00	SSB90UD3NTT
900	600	1145	705	175	949.4	1080	798.00	SSB90UD1RTT	823.00	SSB90UD2RTT	826.00	SSB90UD3RTT
1000	150	379	705	185	1052.5	1189	447.00	SSC10UD1JTT	447.00	SSC10UD1JTT		
1000	200	379	705	185	1052.5	1189	510.00	SSC10UD1KTT	510.00	SSC10UD2KTT	512.00	SSC10UD3KTT
1000	400	598.5	735	185	1052.5	1189	639.00	SSC10UD1NTT	644.00	SSC10UD2NTT	653.00	SSC10UD3NTT
1000	600	1258.5	765	185	1052.5	1189	1007.00	SSC10UD1RTT	1032.00	SSC10UD2RTT	1035.00	SSC10UD3RTT
1000	300	598.5	720	185	1052.5	1189			569.00	SSC10UD2MTT	574.00	SSC10UD3MTT
1100	200	822.5	880	150	1152	1298			910.90	SSC11UD2KTT		
1100	400	822.5	835	150	1152	1298			1003.00	SSC11UD2NTT		
1100	600	822.5	885	150	1152	1298	907.00	SSC11UD1RTT	932.00	SSC11UD2RTT		
1200	200	855	880	195	1263	1412	949.00	SSC12UD1KTT	949.00	SSC12UD2KTT		
1200	300	855	838	195	1263	1412	927.00	SSC12UD1MTT				
1200	400	855	835	195	1263	1412	938.00	SSC12UD1NTT				
1200	600	855	885	195	1263	1412	953.00	SSC12UD1RTT				
1400	600	1010	980	255	1467	1600	1542.00	SSC14UD1RTT	1567.00	SSC14UD2RTT	1567.75	SSC14UD3RTT
1400	250	1010	1000	255	1467	1600			1511.00	SSC14UD2LTT		
1600	300	1050	1050	275	1673	1820			1967.00	SSC16UD2MTT	1979.00	SSC16UD3MTT
1800	600	1125	1200	258	1881.7	2038					2388.00	SSC18UD3RTT

DN (mm)	Ødn (mm)	Lu (mm)	Hu (mm)	P (mm)	ØDI (mm)	ØB (mm)	PN 10		PN 16		PN 25	
							Mass (kg)	References	Mass (kg)	References	Mass (kg)	References
2000	300	1110	1265	290	2089	2269			3201.00	SSC20UD2MTT		

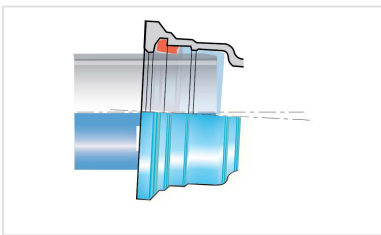
Field of use:

- For drinking water and irrigation networks
- For aggressive soils (maritime soils, peaty, ...)

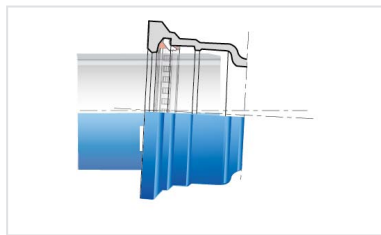
Main characteristics:

- External and internal coating : Blue epoxy powder 250 microns average thickness with a minimum of 200 microns, conforming to EN 14901-1 (PECB)
- In conformity with EN 545:2010 and ISO 2531:2009

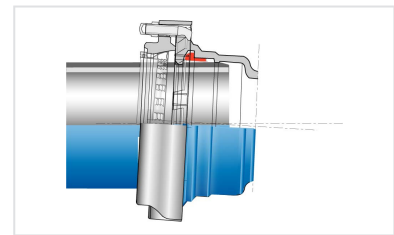
Linked products



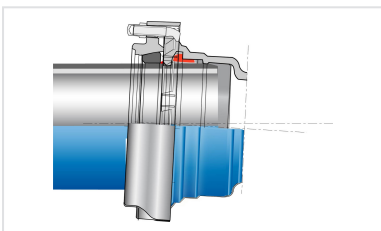
Kit Standard Double Socket Tee with flanged branch PECB + Standard Gasket



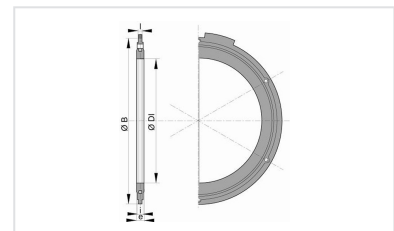
Kit Standard Fitting PECB + Standard Vi Gasket



Kit Standard Fitting PECB + Standard V+i Joint



Kit Standard Fitting PECB + Standard Ve Joint



Flanged joint with metallized steel bolts and nuts



NATURAL SUPPLY, TREATMENT AND DISTRIBUTION DN 60 - 2000

06/05/2026
WARSF21STD366

The information on this sketch is, to the best of our knowledge correct at the time of printing. However Saint-Gobain are constantly looking at ways of improving their products and services therefore reserve the right to change without prior notice, any of the data shown. Any orders placed will be subject to our Standard Conditions of Sale, available on request.