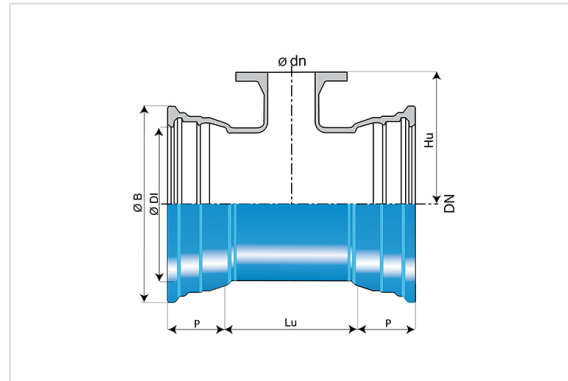


## Tee (PECB) with 2 sockets STANDARD and Fixed Flange branch



DN (mm)	Ødn (mm)	Lu (mm)	Hu (mm)	P (mm)	ØDI (mm)	ØB (mm)	PN 10		PN 16		PN 25		PN 40	
							Mass (kg)	References	Mass (kg)	References	Mass (kg)	References	Mass (kg)	References
400	100	195	360	112	432.4	515.3	75.20	SSB40TD1FTT	75.20	SSB40TD1FTT	83.00	SSB40TD3FTT	83.00	SSB40TD3FTT
500	100	210	420	117.5	535.5	628	106.80	SSB50TD1FTT	106.80	SSB50TD1FTT	116.00	SSB50TD3FTT	116.00	SSB50TD3FTT
700	700	915	600	150	742.2	861	491.00	SSB70TD1STT	499.00	SSB70TD2STT				
800	800	1015	675	160	846.3	972	663.00	SSB80TD1TTT	674.00	SSB80TD2TTT				
900	900	1145	750	175	949.4	1080	867.00	SSB90TD1UTT	878.00	SSB90TD2UTT				
1000	1000	1258	830	185	1052.5	1189	1115.00	SSC10TD1VTT	1137.00	SSC10TD2VTT				
1200	800	1245	915	195	1263	1412	1329.00	SSC12TD1TTT	1353.00	SSC12TD2TTT	1418.00	SSC12TD3TTT		
1200	900	1245	930	195	1263	1412	1378.00	SSC12TD1UTT	1397.00	SSC12TD2UTT				
1200	1000	1245	920	195	1263	1412					1532.00	SSC12TD3VTT		
1200	1100	1480	907	195	1263	1412			2047.00	SSC12TD2ATT				
1200	1200	1480	950	195	1263	1412	1587.00	SSC12TD1BTT	1732.00	SSC12TD2BTT				
1400	800	1950	1010	255	1467	1600	2502.00	SSC14TD1TTT						
1400	1200	1950	1070	255	1467	1600	2320.00	SSC14TD1BTT			2346.00	SSC14TD3BTT		

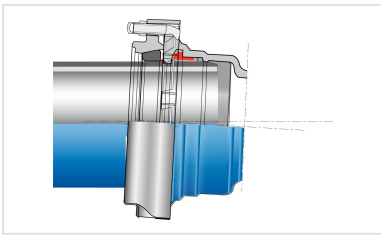
### Field of use:

- For drinking water and irrigation networks
- For aggressive soils (maritime soils, peaty, ...)

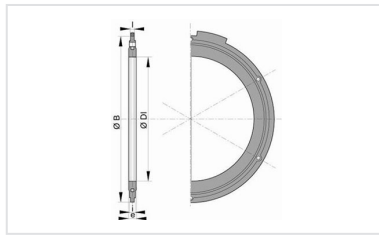
## Main characteristics:

- External and internal coating : Blue epoxy powder 250 microns average thickness with a minimum of 200 microns, conforming to EN 14901-1 (PECB)
- In conformity with EN 545:2010 and ISO 2531:2009

## Linked products



Kit Standard Fitting PECB +  
Standard Ve Joint



Flanged joint with hot  
galvanized steel bolts, nuts  
and washers

*The information on this sketch is, to the best of our knowledge correct at the time of printing. However Saint-Gobain are constantly looking at ways of improving their products and services therefore reserve the right to change without prior notice, any of the data shown. Any orders placed will be subject to our Standard Conditions of Sale, available on request.*