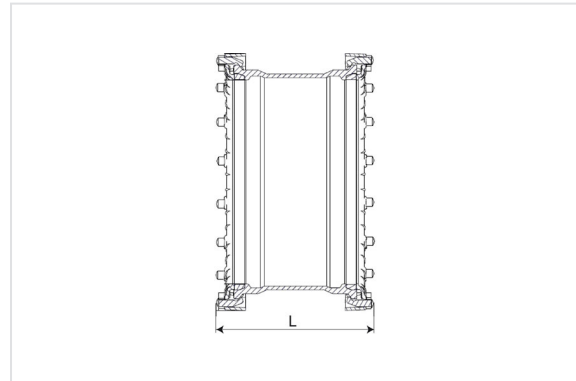
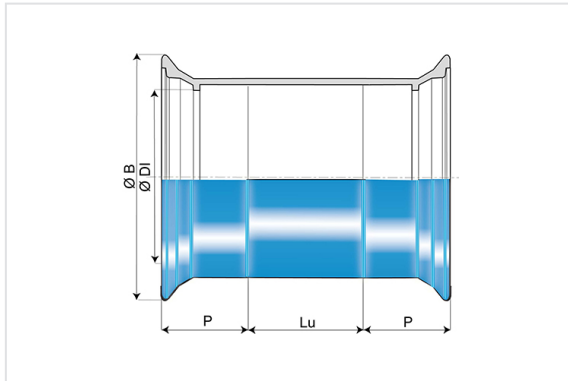


Collar (PECB) with 2 sockets EXPRESS



DN (mm)	L (mm)	Lu (mm)	P (mm)	ØDI (mm)	ØB (mm)	Mass (kg)	References
60	454	156	76	80.3	143.5	6.90	SEA60MN00TT
100	472	160	80	121.4	187.5	7.10	SEB10MN00TT
125	481	165	83	147.4	214.5	8.70	SEB12MN00TT
150	487	165	86	173.4	241.5	10.40	SEB15MN00TT
200	496	170	92	225.5	294.5	14.50	SEB20MN00TT
250	517	175	100	276.8	351	24.30	SEB25MN00TT
300	532	180	105	328.8	408.2	30.20	SEB30MN00TT
350	522	160	110	381.9	462	48.93	SEB35MN00TT2
400	527	165	110	432.9	514	57.96	SEB40MN00TT2
450	600	170	120	484	575.4	68.56	SEB45MN00TT2
500	605	175	120	536	627	87.47	SEB50MN00TT2
600	615	185	120	639.1	736.3	114.77	SEB60MN00TT2
700	691	220	140	742	861	183.00	SEB70MN00TT
800	701	230	140	846	972	226.00	SEB80MN00TT
900	711	240	140	949	1080	274.00	SEB90MN00TT
1000	721	250	140	1052	1189	325.00	SEC10MN00TT
1100	851	260	200	1155	1298	500.00	SEC11MN00TT
1200	785	270	162	1259	1411	470.00	SEC12MN00TT

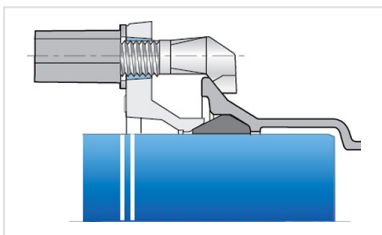
Field of use:

- For drinking water and irrigation networks
- For aggressive soils (maritime soils, peaty, ...)

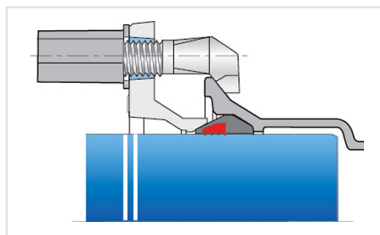
Main characteristics:

- External and internal coating : Blue epoxy powder 250 microns average thickness with a minimum of 200 microns, conforming to EN 14901-1 (PECB)
- In conformity with EN 545:2010 and ISO 2531:2009

Linked products



Kit Express Fittings PECB +
Express Gasket



Kit Express Fitting PECB +
Express Vi Gasket

The information on this sketch is, to the best of our knowledge correct at the time of printing. However Saint-Gobain are constantly looking at ways of improving their products and services therefore reserve the right to change without prior notice, any of the data shown. Any orders placed will be subject to our Standard Conditions of Sale, available on request.