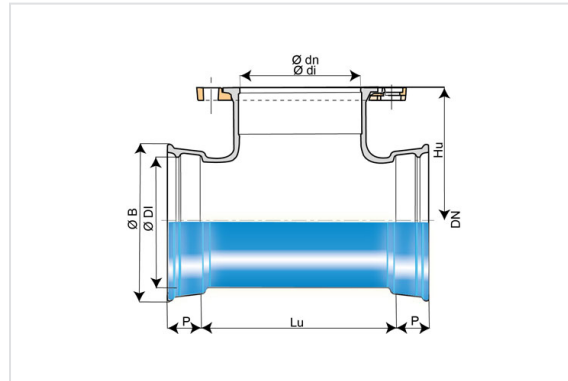


Tee (PECB) with 2 sockets EXPRESS and Rotatable Flange branch



DN (mm)	Ø dn (mm)	Lu (mm)	Hu (mm)	P (mm)	Ø DI (mm)	Ø B (mm)	PN 10		PN 16		PN 25	
							Mass (kg)	References	Mass (kg)	References	Mass (kg)	References
250	150	235	280	100	277.8	351.1	39.40	SEB25UD1JTT2	39.40	SEB25UD1JTT2		
300	200	295	320	110	329.8	407.5	58.70	SEB30UD1KTT2				
350	60	170	320	110	381.9	462	48.83	SEB35UD1CTT2	48.83	SEB35UD1CTT2	48.83	SEB35UD3CTT2
350	80	185	325	110	381.9	462	50.51	SEB35UD1ETT2	50.51	SEB35UD1ETT2	50.51	SEB35UD1ETT2
350	150	270	340	110	381.9	462	60.27	SEB35UD1JTT2	60.27	SEB35UD1JTT2	62.37	SEB35UD3JTT2
350	200	300	325	110	381.9	462	66.90	SEB35UD1KTT2				
350	250	385	360	110	381.9	462	79.00	SEB35UD1LTT2	79.00	SEB35UD2LTT2		
350	300	410	345	110	381.9	462	85.30	SEB35UD1MTT2				
350	350	470	355	110	381.9	462	96.70	SEB35UD1YTT2	97.50	SEB35UD2YTT2		
350	100	195	305	110	381.9	462	52.08	SEB35UV1FTT2	52.08	SEB35UV1FTT2	53.45	SEB35UV3FTT2
400	80	175	330	110	432.9	514	60.90	SEB40UD1ETT2	60.90	SEB40UD1ETT2	60.90	SEB40UD1ETT2
400	150	245	345	110	432.9	514	68.40	SEB40UD1JTT2	68.40	SEB40UD1JTT2	70.14	SEB40UD3JTT2
400	200	300	355	110	432.9	514	76.97	SEB40UD1KTT2	77.18	SEB40UD2KTT2		
400	250	385	390	110	432.9	514	90.30	SEB40UD1LTT2	90.30	SEB40UD2LTT2	93.03	SEB40UD3LTT2
400	300	415	375	110	432.9	514	97.23	SEB40UD1MTT2	96.53	SEB40UD2MTT2	100.70	SEB40UD3MTT2
400	400	535	395	110	432.9	514	121.28	SEB40UD1NTT2	126.00	SEB40UD2NTT2	135.45	SEB40UD3NTT2
400	100	185	335	110	432.9	514	65.94	SEB40UV1FTT2	65.94	SEB40UV1FTT2		
450	150	270	400	120	484	575.4	88.62	SEB45UD1JTT2	88.62	SEB45UD1JTT2	90.72	SEB45UD3JTT2
450	450	620	460	120	484	575.4	164.30	SEB45UD1PTT2				
450	100	215	390	120	484	575.4	80.01	SEB45UV1FTT2	80.01	SEB45UV1FTT2	81.38	SEB45UV3FTT2

DN (mm)	Ø dn (mm)	Lu (mm)	Hu (mm)	P (mm)	ØDI (mm)	ØB (mm)	PN 10		PN 16		PN 25	
							Mass (kg)	References	Mass (kg)	References	Mass (kg)	References
500	150	250	405	120	536	627	99.00	SEB50UD1JTT2	99.00	SEB50UD1JTT2		
500	300	425	435	120	536	627	133.10	SEB50UD1MTT2	132.40	SEB50UD2MTT2		
500	400	540	455	120	536	627	159.80	SEB50UD1NTT2				
500	500	655	475	120	536	627	216.62	SEB50UD1QTT2	230.27	SEB50UD2QTT2		
500	100	190	395	120	536	627	89.46	SEB50UV1FTT2	89.46	SEB50UV1FTT2	90.83	SEB50UV3FTT2
600	100	200	455	135	639.1	736.3	122.50	SEB60UD1FTT2				
600	300	430	495	135	639.1	736.3	173.80	SEB60UD1MTT2	173.10	SEB60UD2MTT2		
600	400	545	515	135	639.1	736.3	204.40	SEB60UD1NTT2	208.50	SEB60UD2NTT2		
600	600	775	555	135	639.1	736.3	281.90	SEB60UD1RTT2				
600	200	315	475	135	639.1	736.3	162.44	SEB60UV1KTT2	162.65	SEB60UV2KTT2		
800	200	355	585	160	846	972	322.00	SEB80UD1KTT			323.00	SEB80UD3KTT
800	300	575	585	160	846	972	399.00	SEB80UD1MTT				
1000	150	400	705	145	1052	1189	451.00	SEC10UD1JTT	451.00	SEC10UD1JTT		
1000	300	400	705	145	1052	1189	605.00	SEC10UD1MTT				
1000	400	598.5	735	145	1052	1189	582.00	SEC10UD1NTT	586.00	SEC10UD2NTT		
1000	600	1259	765	145	1052	1189	950.00	SEC10UD1RTT				
1000	200	400	705	145	1052	1189			510.00	SEC10UD2KTT		

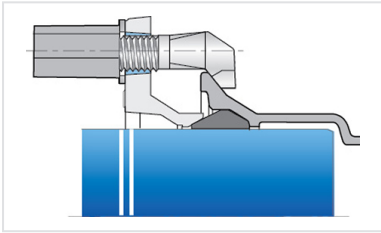
Field of use:

- For drinking water and irrigation networks
- For aggressive soils (maritime soils, peaty, ...)

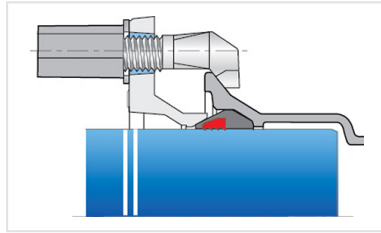
Main characteristics:

- External and internal coating : Blue epoxy powder 250 microns average thickness with a minimum of 200 microns, conforming to EN 14901-1 (PECB)
- In conformity with EN 545:2010 and ISO 2531:2009

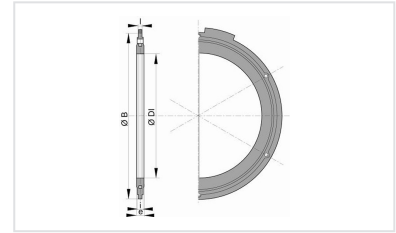
Linked products



Kit Express Fittings PECB +
Express Gasket



Kit Express Fitting PECB +
Express Vi Gasket



Flanged joint with
metallized steel bolts and
nuts

The information on this sketch is, to the best of our knowledge correct at the time of printing. However Saint-Gobain are constantly looking at ways of improving their products and services therefore reserve the right to change without prior notice, any of the data shown. Any orders placed will be subject to our Standard Conditions of Sale, available on request.