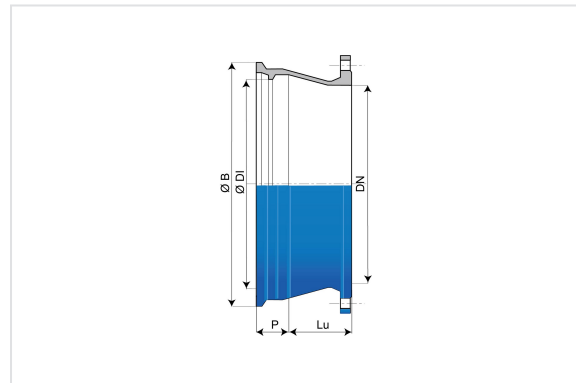
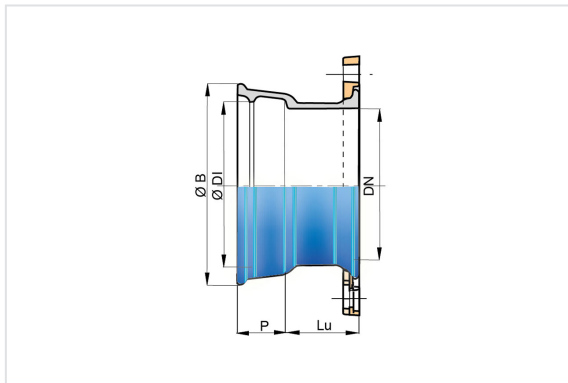


## Flange Socket (PECB) with socket EXPRESS (and Rotatable Flange or Fixed Flange)



DN (mm)	Lu (mm)	P (mm)	ØDI (mm)	ØB (mm)	PN 10		PN 16		PN 25		PN 40	
					Mass (kg)	References	Mass (kg)	References	Mass (kg)	References	Mass (kg)	References
60	125	76	80.3	143.5	5.60	291947	5.60	291947				
80	128	79	101.4	167.5	7.04	290765	7.04	290765	7.04	290765	7.04	290765
100	105	80	121.4	187.5	7.14	290763	7.14	290763				
125	110	83	147.4	214.5	9.12	293387	9.12	293387	10.79	293388	10.79	293388
150	110	86	173.4	241.5	11.06	290764	11.06	290764				
200	115	92	225.5	294.5	18.76	290766	18.86	293339	20.06	293340		
250	125	100	276.8	351			24.99	SEB25BE20TT				
350	130	110	381.9	462			50.82	SEB35BE20TT2	56.70	SEB35BE30TT2		
400	135	110	432.9	514	59.54	SEB40BE10TT2	64.26	SEB40BE20TT2	73.71	SEB40BE30TT2		
450	140	120	484	575.4	71.93	SEB45BE10TT2	76.97	SEB45BE20TT2	87.15	SEB45BE30TT2		
500	145	120	536	627	89.67	SEB50BE10TT2	103.32	SEB50BE20TT2	109.62	SEB50BE30TT2		
600	155	135	639.1	736.3	122.75	SEB60BE10TT2	149.00	SEB60BE20TT2	152.15	SEB60BE30TT2		
700	190	140	742	861	159.00	SEB70BE10TT	167.00	SEB70BE20TT	197.00	SEB70BE30TT		
800	200	140	846	972	205.00	SEB80BE10TT	213.00	SEB80BE20TT	256.00	SEB80BE30TT		
900	210	140	949	1080	248.00	SEB90BE10TT	258.00	SEB90BE20TT				
1000	220	140	1052	1189	310.00	SEC10BE10TT	327.00	SEC10BE20TT	393.00	SEC10BE30TT		
1200	240	150	1259	1411	451.00	SEC12BE10TT	496.00	SEC12BE20TT	576.00	SEC12BE30TT		

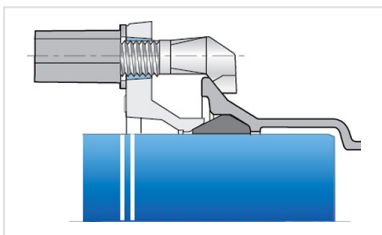
### Field of use:

- For drinking water and irrigation networks
- For aggressive soils (maritime soils, peaty, ...)

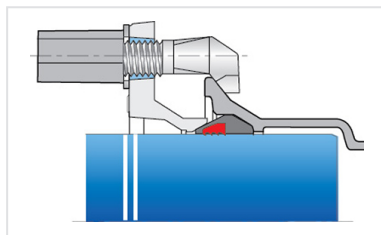
### Main characteristics:

- External and internal coating : Blue epoxy powder 250 microns average thickness with a minimum of 200 microns, conforming to EN 14901-1 (PECB)
- In conformity with EN 545:2010 and ISO 2531:2009

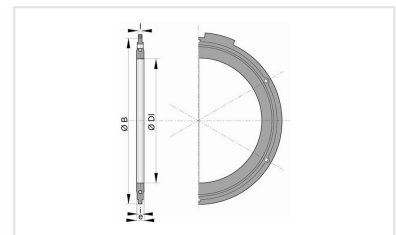
### Linked products



Kit Express Fittings PECB +  
Express Gasket



Kit Express Fitting PECB +  
Express Vi Gasket



Flanged joint with  
metallized steel bolts and  
nuts

*The information on this sketch is, to the best of our knowledge correct at the time of printing. However Saint-Gobain are constantly looking at ways of improving their products and services therefore reserve the right to change without prior notice, any of the data shown. Any orders placed will be subject to our Standard Conditions of Sale, available on request.*