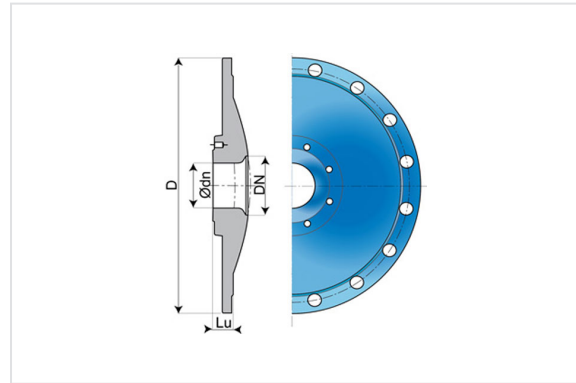
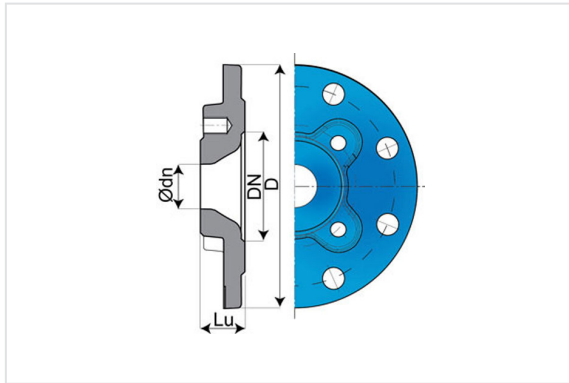


## Reducing Flange (PECB) drilled threaded with Studs



DN (mm)	Ødn (mm)	PN	D (mm)	Lu (mm)	Shape	Mass (kg)	References
200	80	16	340	40	3	10.90 kg	BBB20RN2ETTg
200	100	25	360	47	1	16.50 kg	BBB20RN3FTTG
250	100	16	400	42	3	17.90 kg	BBB25RN2FTTG
300	100	10	455	44.5	2	24.00 kg	BBB30RN1FTTG
300	150	10	455	44.5	2	25.50 kg	BBB30RN1JTTG
400	100	10	565	27.5	2	44.00 kg	BBB40RN1FTTG
400	300	10	565	53	2	41.00 kg	BBB40RN1MTTG
400	200	25	620	54	2	67.00 kg	BBB40RN3KTTG
500	300	16	722	56	3	82.00 kg	BBB50RN2MTTG
600	100	10	780	4	2	105.00 kg	BBB60RN1FTTG
600	150	10	780	12.5	2	106.73 kg	BBB60RN1JTTG
600	200	10	780	20	2	107.00 kg	BBB60RN1KTTG
600	450	10	780	63	2	62.00 kg	BBB60RN1PTTG
600	200	16	840	20	2	130.60 kg	BBB60RN2KTTG
600	200	25	845	29	2	151.00 kg	BBB60RN3KTTG
700	500	10	895	56	1	108.91 kg	BBB70RN1QTTG

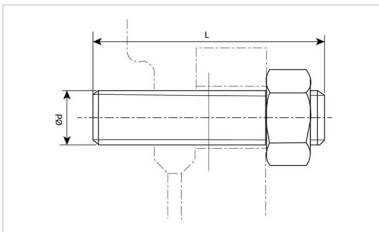
## Field of use:

- For drinking water networks

## Main characteristics:

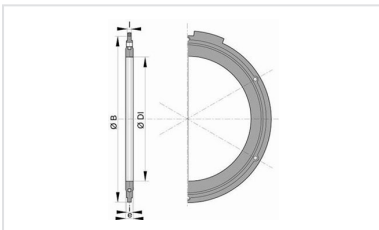
- External and internal coating : Blue epoxy powder 250 microns average thickness with a minimum of 200 microns, conforming to EN 14901 (PECB)
- In conformity with EN 545:2010 and ISO 2531:2009

## Accessories



Reducing flanges - length of studs

## Linked products



Flanged joint with hot galvanized steel bolts, nuts and washers

*The information on this sketch is, to the best of our knowledge correct at the time of printing. However Saint-Gobain are constantly looking at ways of improving their products and services therefore reserve the right to change without prior notice, any of the data shown. Any orders placed will be subject to our Standard Conditions of Sale, available on request.*