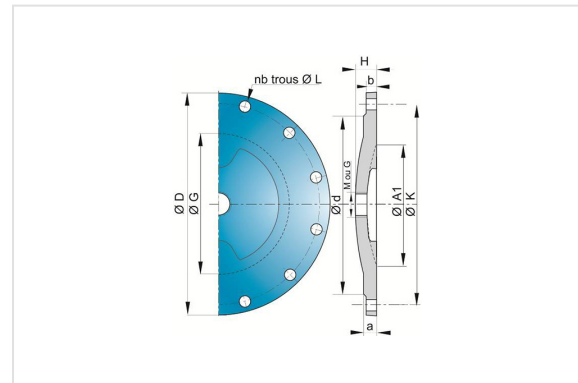
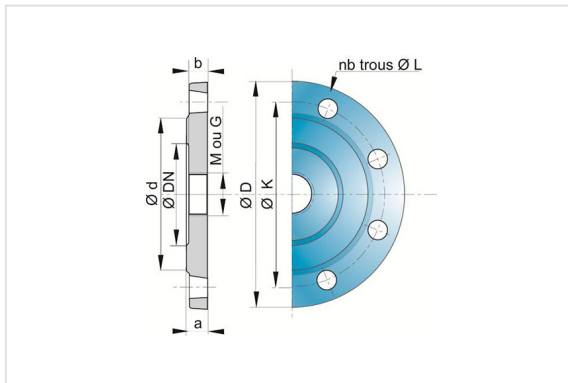


## Blank Flange (PECB) Central Boss GAZ threaded



DN (mm)	Tapping	PN 10		PN 16		PN 25	
		Mass (kg)	References	Mass (kg)	References	Mass (kg)	References
50	1"1/2	3.00	BBA50QT1JTT	3.00	BBA50QT1JTT	3.00	BBA50QT1JTT
60	1"	2.70	BBA60QT1GTT	2.70	BBA60QT1GTT		
60	1"1/2	2.70	BBA60QT1JTT	2.70	BBA60QT1JTT		
60	2"	2.70	BBA60QT1LTT	2.70	BBA60QT1LTT		
65	1"1/2	3.10	BBA65QT1JTT	3.10	BBA65QT1JTT		
80	1/2"	3.50	BBA80QT1ETT	3.50	BBA80QT1ETT	3.50	BBA80QT1ETT
80	2"	3.50	BBA80QT1LTT	3.50	BBA80QT1LTT	3.50	BBA80QT1LTT
100	3/4"	4.30	BBB10QT1FTT	4.30	BBB10QT1FTT		
100	1"1/2	4.30	BBB10QT1JTT	4.30	BBB10QT1JTT		
100	2"	4.30	BBB10QT1LTT	4.30	BBB10QT1LTT		
100	2"1/2	4.30	BBB10QT1NTT	4.30	BBB10QT1NTT		
125	3/4"	5.60	BBB12QT1FTT	5.60	BBB12QT1FTT		
150	2"1/2	7.20	BBB15QT1NTT	7.20	BBB15QT1NTT		
200	2"	11.00	BBB20QT1LTT	13.80	BBB20QT2LTT		
250	1"1/2	16.90	BBB25QT1JTT				
300	1/2"			26.50	BBB30QT2ETT		
300	1"	26.50	BBB30QT1GTT	26.50	BBB30QT2GTT		
300	1 1/2"	26.50	BBB30QT1JTT				
300	3/4"	26.50	BBB30QT1FTT				
300	2"	26.50	BBB30QT1LTT	26.50	BBB30QT2LTT		
350	2"	32.50	BBB35QT1LTT	37.50	BBB35QT2LTT		

DN (mm)	Tapping	PN 10		PN 16		PN 25	
		Mass (kg)	References	Mass (kg)	References	Mass (kg)	References
400	1"	45.50	BBB40QT1GTT	43.50	BBB40QT2GTT		
400	1 1/2"	45.50	BBB40QT1JTT				
400	2"	45.50	BBB40QT1LTT	43.50	BBB40QT2LTT	63.00	BBB40QT3LTT
500	1 1/2"	70.00	BBB50QT1JTT				
600	1 1/2"	106.00	BBB60QT1JTT				

DN (mm)	Tapping	PN	ØD (mm)	a (mm)	b (mm)	Ød (mm)	ØG (mm)	H (mm)	Number of holes	ØL (mm)	ØK (mm)	A1 (mm)
50	1 1/2"	10 16 25	165	19	16	99			4	19	125	
60	1"	10 16	780	30	25	682	585	88	20	31	725	550
60	1 1/2"	10 16	780	30	25	682	585	88	20	31	725	550
60	2"	10 16	780	30	25	682	585	88	20	31	725	550
65	1 1/2"	10 16	185	19	16	118			4	19	145	
80	1/2"	10 16 25	200	19	16	132			8	19	160	
80	2"	10 16 25	200	19	16	132			8	19	160	
100	3/4"	10 16	220	19	16	156			8	19	180	
100	1 1/2"	10 16	220	19	16	156			8	19	180	
100	2"	10 16	220	19	16	156			8	19	180	
100	2 1/2"	10 16	220	19	16	156			8	19	180	
125	3/4"	10 16	250	19	16	184			8	19	210	
150	2 1/2"	10 16	285	19	16	211			8	23	240	
200	2"	10	340	20	17	266			8	23	295	
200	2"	16	340	20	17	266			12	23	295	
250	1 1/2"	10	400	22	19	319			12	23	350	
300	1/2"	16	455	24.5	20.5	370	290	40.5	12	28	410	246
300	1"	10	455	24.5	20.5	370	290	40.5	12	23	400	246
300	1"	16	455	24.5	20.5	370	290	40.5	12	28	410	246
300	1 1/2"	10	455	24.5	20.5	370	290	40.5	12	23	400	246
300	3/4"	10	455	24.5	20.5	370	290	40.5	12	23	400	246
300	2"	10	455	24.5	20.5	370	290	40.5	12	23	400	246
300	2"	16	455	24.5	20.5	370	290	40.5	12	28	410	246
350	2"	10	502	24.5	20.5	429	340	50.3	16	23	505	290
350	2"	16	520	26.5	22.5	429	340	52.3	16	28	470	290
400	1"	10	565	24.5	20.5	480	385	62	16	28	515	350
400	1"	16	580	28	24	480	385	64	16	31	525	350

DN (mm)	Tapping	PN	ØD (mm)	a (mm)	b (mm)	Ød (mm)	ØG (mm)	H (mm)	Number of holes	ØL (mm)	ØK (mm)	A1 (mm)
400	1 1/2"	10	565	24.5	20.5	480	385	62	16	28	515	350
400	2"	10	565	24.5	20.5	480	385	62	16	28	515	350
400	2"	16	580	28	24	480	385	64	16	31	525	350
400	2"	25	620	32	28	503	383	68	16	37	550	350
500	1 1/2"	10	670	26.5	22.5	582	490.4	58	20	28	620	450
600	1 1/2"	10	780	30	25	682	585	88	20	31	725	550

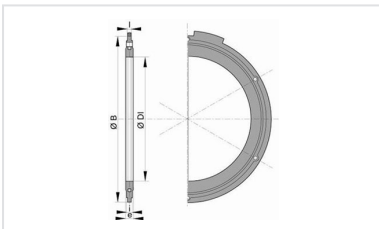
### Field of use:

- For drinking water networks

### Main characteristics:

- External and internal coating : Blue epoxy powder 250 microns average thickness with a minimum of 200 microns, conforming to EN 14901 (PECB)
- In conformity with EN 545:2010 and ISO 2531:2009

### Linked products



Flanged joint with hot galvanized steel bolts, nuts and washers

*The information on this sketch is, to the best of our knowledge correct at the time of printing. However Saint-Gobain are constantly looking at ways of improving their products and services therefore reserve the right to change without prior notice, any of the data shown. Any orders placed will be subject to our Standard Conditions of Sale, available on request.*