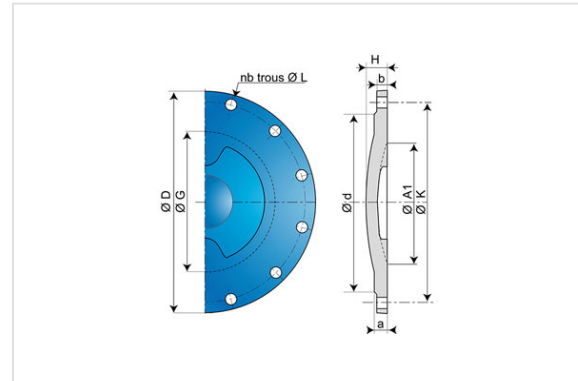
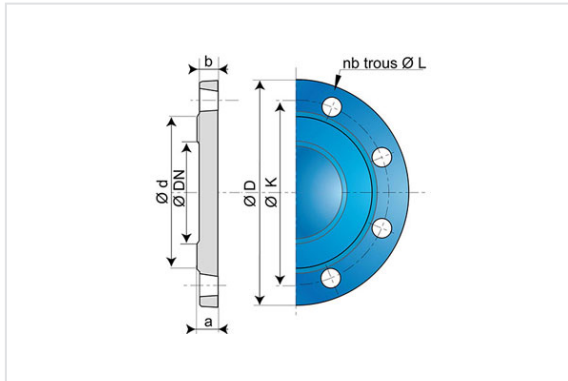


### Blank Flange (PECB)



DN (mm)	PN 10		PN 16		PN 25		PN 40	
	Mass (kg)	References	Mass (kg)	References	Mass (kg)	References	Mass (kg)	References
40	2.00	BBA40QN10TT	2.00	BBA40QN10TT	2.00	BBA40QN10TT	2.00	BBA40QN10TT
50	3.00	BBA50QN10TT	3.00	BBA50QN10TT	3.00	BBA50QN10TT	3.00	BBA50QN10TT
60	2.70	BBA60QN10TT	2.70	BBA60QN10TT	2.70	BBA60QN30TT	2.70	BBA60QN30TT
65	3.10	BBA65QN10TT	3.10	BBA65QN10TT				
80	3.50	BBA80QN10TT	3.50	BBA80QN10TT	3.50	BBA80QN10TT	3.50	BBA80QN10TT
100	4.30	BBB10QN10TT	4.30	BBB10QN10TT	4.80	BBB10QN30TT	4.80	BBB10QN30TT
125	5.60	BBB12QN10TT	5.60	BBB12QN10TT	6.50	BBB12QN30TT	6.50	BBB12QN30TT
150	7.20	BBB15QN10TT	7.20	BBB15QN10TT	8.50	BBB15QN30TT	8.50	BBB15QN30TT
200	11.00	BBB20QN10TT	13.80	BBB20QN20TT	13.90	BBB20QN30TT		
250	16.90	BBB25QN10TT	16.90	BBB25QN20TT	22.00	BBB25QN30TT		
300	26.50	BBB30QN10TT	26.50	BBB30QN20TT	33.00	BBB30QN30TT		
350	32.50	BBB35QN10TT	37.50	BBB35QN20TT	47.50	BBB35QN30TT		
400	45.50	BBB40QN10TT	43.50	BBB40QN20TT	63.00	BBB40QN30TT		
450	58.00	BBB45QN10TT	64.00	BBB45QN20TT	80.00	BBB45QN30TT		
500	70.00	BBB50QN10TT	84.00	BBB50QN20TT	101.00	BBB50QN30TT		
600	106.00	BBB60QN10TT	133.00	BBB60QN20TT	156.00	BBB60QN30TT		
700	153.00	BBB70QN10TT	166.00	BBB70QN20TT	221.00	BBB70QN30TT		
800	214.00	BBB80QN10TT	230.00	BBB80QN20TT	311.00	BBB80QN30TT		
900	279.00	BBB90QN10TT	300.00	BBB90QN20TT	405.00	BBB90QN30TT	620.00	BBB90QN40TT
1000	367.00	BBC10QN10TT	400.00	BBC10QN20TT	540.00	BBC10QN30TT		
1100	405.00	BBC11QN10TT	520.00	BBC11QN20TT				

DN (mm)	PN 10		PN 16		PN 25		PN 40	
	Mass (kg)	References	Mass (kg)	References	Mass (kg)	References	Mass (kg)	References
1200	506.00	BBC12QN10TT	662.00	BBC12QN20TT	840.00	BBC12QN30TT		
1400	847.00	BBC14QN10TT	993.00	BBC14QN20TT				
1500	1027.00	BBC15QN10TT	1222.00	BBC15QN20TT				
1600	1239.00	BBC16QN10TT	1462.00	BBC16QN20TT				
1800	1717.00	BBC18QN10TT	2016.00	BBC18QN20TT				
2000	2272.00	BBC20QN10TT	2660.00	BBC20QN20TT	3350.00	BBC20QN30TT		

DN (mm)	PN	ØD (mm)	a (mm)	b (mm)	Ød (mm)	ØG (mm)	H (mm)	Number of holes	ØL (mm)	ØK (mm)	A1 (mm)
40	10 16 25 40	150	19	16	84			4	19	110	
50	10 16 25 40	165	19	16	99			4	19	125	
60	10 16	175	19	16	108			4	19	135	
60	25 40	175	19	16	108			8	19	135	
65	10 16	185	19	16	118			4	19	145	
80	10 16 25 40	200	19	16	132			8	19	160	
100	10 16	200	19	16	153			8	19	180	
100	25 40	235	19	16	156			8	23	190	
125	10 16	250	19	16	184			8	19	210	
125	25 40	270	23.5	20.5	184	115		8	28	220	105
150	10 16	285	19	16	211			8	23	240	
150	25 40	300	26	23	211	140		8	28	250	140
200	10	340	20	17	266			8	23	295	
200	16	340	20	17	266			12	23	295	
200	25	360	22	19	274	190		12	28	310	180
250	10	400	22	19	319			12	23	350	
250	16	400	22	19	319			12	28	355	
250	25	425	24.5	21.5	330	240		12	31	370	230
300	10	455	24.5	20.5	370	290	40.5	12	23	400	246
300	16	455	24.5	20.5	370	290	40.5	12	28	410	246
300	25	485	27.5	23.5	389	290	53.5	16	31	430	250
350	10	505	24.5	20.5	429	340	50.3	16	23	460	290
350	16	520	26.5	22.5	429	340	52.3	16	28	470	290
350	25	555	30	26	448	335	61	16	34	490	300
400	10	565	24.5	20.5	480	385	62	16	28	515	350
400	16	580	28	24	480	385	64	16	31	525	350

DN (mm)	PN	ØD (mm)	a (mm)	b (mm)	Ød (mm)	ØG (mm)	H (mm)	Number of holes	ØL (mm)	ØK (mm)	A1 (mm)
400	25	620	32	28	503	385	68	16	37	550	350
450	10	615	25.5	21.5	530	435	68.5	20	28	565	400
450	16	640	30	26	548	435	71	20	31	585	400
450	25	670	34.5	30.5	548	435	75.5	20	37	600	400
500	10	670	26.5	22.5	582	490.4	58	20	28	620	450
500	16	715	31.5	27.5	609	485	77.5	20	34	650	450
500	25	730	36.5	32.5	609	485	82.5	20	37	660	450
600	10	780	30	25	682	585	88	20	31	725	550
600	16	840	36	31	720	585	91	20	37	770	550
600	25	845	42	37	720	585	97	20	41	770	550
700	10	895	32.5	27.5	794	680	101	24	31	840	650
700	16	910	39.5	34.5	794	685	112	24	37	840	650
700	25	960	46.5	41.5	820	685	112	24	44	875	650
800	10	1015	35	30	901	785	114	24	34	950	750
800	16	1025	43	38	901	785	126	24	41	950	750
800	25	1085	51	46	928	785	126	24	50	990	750
900	10	1115	37.5	32.5	1001	885	127	28	34	1050	850
900	16	1125	46.5	41.5	1001	885	141	28	41	1050	850
900	25	1185	55.5	50.5	1028	885	141	28	50	1090	850
900	40										
1000	10	1230	40	35	1112	985	140	28	37	1160	950
1000	16	1255	50	45	1112	985	155	28	44	1170	950
1000	25	1320	60	55	1140	985	155	28	57	1210	950
1100	10	1340	42.5	37.5	1218	1085	148	32	37	1270	1050
1100	16	1355	53.5	48.5	1218	1085	170	32	44	1270	1050
1200	10	1455	45	40	1328	1185	160	32	41	1380	1150
1200	16	1485	57	52	1328	1185	184	32	50	1390	1150
1200	25	1530	69	64	1350	1185	184	32	57	1420	1150
1400	10	1675	46	41	1530	1375	192	36	43	1590	
1400	16	1685	60	55	1530	1342	199	36	50	1590	
1500	10	1785	47.5	42.5	1640	1475	205	36	43	1700	
1500	16	1820	62.5	57.5	1640	1441	212.5	36	56	1710	
1600	10	1915	49	44	1750	1575	218	40	50	1820	
1600	16	1930	65	60	1750	1540	266	40	57	1820	

DN (mm)	PN	ØD (mm)	a (mm)	b (mm)	Ød (mm)	ØG (mm)	H (mm)	Number of holes	ØL (mm)	ØK (mm)	A1 (mm)
1800	10	2115	52	47	1950	1775	244	44	50	2020	
1800	16	2130	70	65	1950	1734	253	44	57	2020	
2000	10	2325	55	50	2150	1975	270	48	50	2230	
2000	16	2345	75	70	2150	1930	280	48	62	2230	
2000	25										

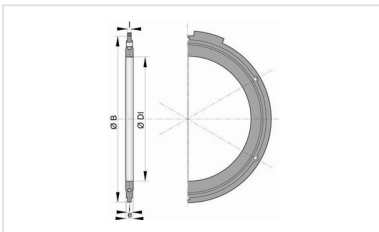
### Field of use:

- For drinking water networks

### Main characteristics:

- External and internal coating : Blue epoxy powder 250 microns average thickness with a minimum of 200 microns, conforming to EN 14901 (PECB)
- In conformity with EN 545:2010 and ISO 2531:2009

### Linked products



Flanged joint with hot galvanized steel bolts, nuts and washers

*The information on this sketch is, to the best of our knowledge correct at the time of printing. However Saint-Gobain are constantly looking at ways of improving their products and services therefore reserve the right to change without prior notice, any of the data shown. Any orders placed will be subject to our Standard Conditions of Sale, available on request.*