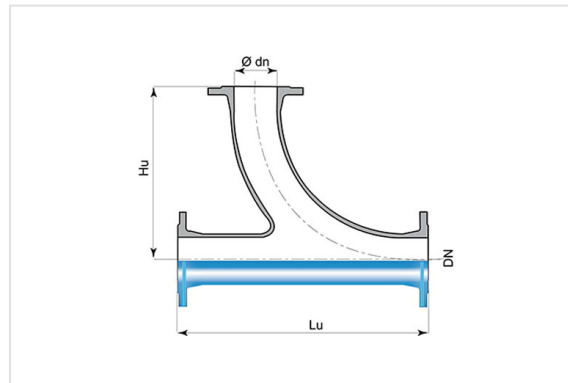


## Tee Radial (PECB) with 3 Fixed Flanges



DN (mm)	Ødn (mm)	Lu (mm)	Hu (mm)	PN 10		PN 16		PN 25	
				Mass (kg)	References	Mass (kg)	References	Mass (kg)	References
80	80	545	380	23.00	BBA80TW1ETT	23.00	BBA80TW1ETT	23.00	BBA80TW1ETT
150	150	670	450	48.50	BBB15TW1JTT	48.50	BBB15TW1JTT		
200	200	760	500			72.50	BBB20TW2KTT		
250	250	900	550			106.00	BBB25TW2LTT		
300	300	1000	600			146.00	BBB30TW2MTT		
350	350	1100	650			245.00	BBB35TW2YTT		
400	400	1200	700			264.00	BBB40TW2NTT		
450	450	1300	750			339.00	BBB45TW2PTT		
500	500	1400	800			564.00	BBB50TW2QTT		

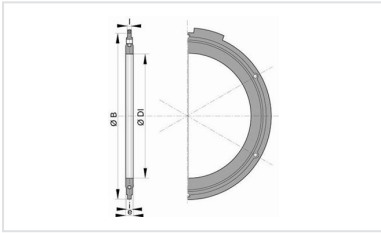
### Field of use:

- For drinking water networks

### Main characteristics:

- External and internal coating : Blue epoxy powder 250 microns average thickness with a minimum of 200 microns, conforming to EN 14901 (PECB)
- In conformity with EN 545:2010 and ISO 2531:2009

## Linked products



Flanged joint with hot galvanized steel bolts, nuts and washers

*The information on this sketch is, to the best of our knowledge correct at the time of printing. However Saint-Gobain are constantly looking at ways of improving their products and services therefore reserve the right to change without prior notice, any of the data shown. Any orders placed will be subject to our Standard Conditions of Sale, available on request.*