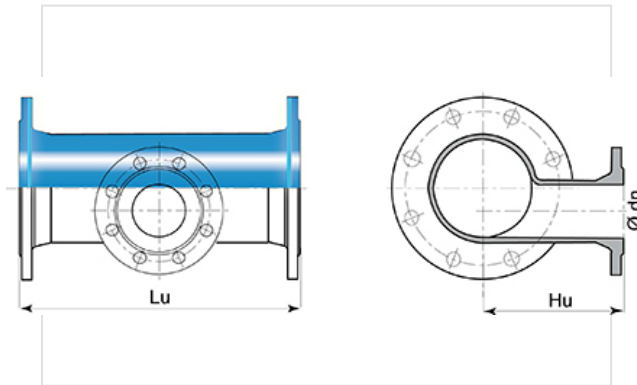


Invert Level Tee (PECB) with 3 Fixed Flanges



DN (mm)	Ødn (mm)	Lu (mm)	Hu (mm)	PN 10		PN 16		PN 25	
				Mass (kg)	References	Mass (kg)	References	Mass (kg)	References
200	80	520	250			42.50	BBB20TT2ETT		
250	80	700	275			66.00	BBB25TT2ETT		
250	100	700	275			68.50	BBB25TT2FTT		
250	150	700	275			70.00	BBB25TT2JTT		
300	80	800	305			107.00	BBB30TT2ETT		
300	100	800	305			109.00	BBB30TT2FTT	121.00	BBB30TT3FTT
300	150	800	305			114.00	BBB30TT2JTT		
350	150	850	340			148.00	BBB35TT2JTT		
400	80	900	365			180.00	BBB40TT2ETT		
400	100	900	365			176.00	BBB40TT2FTT		
400	150	900	365	162.00	BBB40TT1JTT	179.00	BBB40TT2JTT		
400	200	900	365			159.00	BBB40TT2KTT		
450	100	950	380			194.00	BBB45TT2FTT		
450	150	950	380			207.00	BBB45TT2JTT		
500	150	1000	400	248.00	BBB50TT1JTT	248.00	BBB50TT2JTT		
600	100	1100	435	298.00	BBB60TT1FTT	351.00	BBB60TT2FTT		
600	150	1100	450	330.00	BBB60TT1JTT	410.00	BBB60TT2JTT		
600	200	1100	450	310.00	BBB60TT1KTT	413.00	BBB60TT2KTT		
700	200	870	500	305.00	BBB70UT1KTT	239.00	BBB70UT2KTT	370.00	BBB70UT3KTT
800	200	910	540	460.00	BBB80UT1KTT	466.00	BBB80UT2KTT	479.00	BBB80UT3KTT
900	200	950	580	483.00	BBB90UT1KTT	483.00	BBB90UT2KTT	602.00	BBB90UT3KTT

DN (mm)	Ødn (mm)	Lu (mm)	Hu (mm)	PN 10		PN 16		PN 25	
				Mass (kg)	References	Mass (kg)	References	Mass (kg)	References
1000	200	990	630	630.00	BBC10UT1KTT	647.00	BBC10UT2KTT	761.00	BBC10UT3KTT
1100	200	1115	700	1131.00	BBC11UT1KTT				
1200	200	1245	700			1230.00	BBC12TT2KTT		
1400	300	1530	850			1967.00	BBC14UT2MTT	1970.00	BBC14UT3MTT
1600	300	1610	950			2198.00	BBC16UT2MTT	2650.00	BBC16UT3MTT

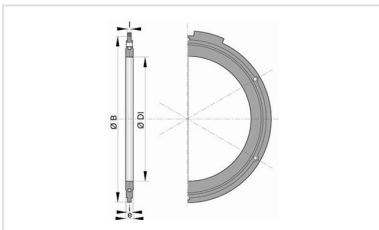
Field of use:

- For drinking water networks

Main characteristics:

- External and internal coating : Blue epoxy powder 250 microns average thickness with a minimum of 200 microns, conforming to EN 14901 (PECB)
- In conformity with EN 545:2010 and ISO 2531:2009

Linked products



Flanged joint with hot galvanized steel bolts, nuts and washers

The information on this sketch is, to the best of our knowledge correct at the time of printing. However Saint-Gobain are constantly looking at ways of improving their products and services therefore reserve the right to change without prior notice, any of the data shown. Any orders placed will be subject to our Standard Conditions of Sale, available on request.