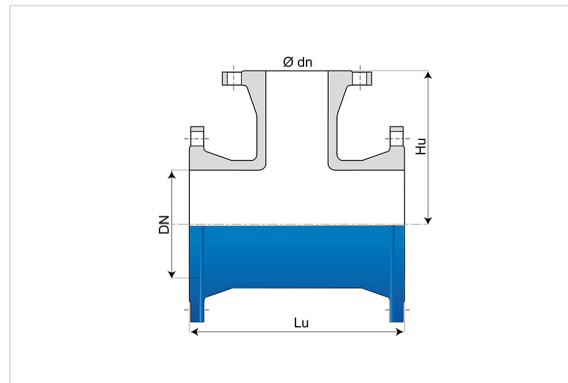


## Tee (PECB) with 3 Fixed Flanges



DN (mm)	Ødn (mm)	Lu (mm)	Hu (mm)	PN 10		PN 16		PN 25		PN 40	
				Mass (kg)	References	Mass (kg)	References	Mass (kg)	References	Mass (kg)	References
80	50	320	156	13.90	BBA80TE1BTT	13.90	BBA80TE1BTT	13.90	BBA80TE1BTT	13.90	BBA80TE1BTT
80	80	330	165	15.30	BBA80TE1ETT	15.30	BBA80TE1ETT	15.30	BBA80TE1ETT	15.30	BBA80TE1ETT
100	50	369	185	17.10	BBB10TE1BTT	17.10	BBB10TE1BTT				
100	80	360	175	18.40	BBB10TE1ETT	18.40	BBB10TE1ETT				
100	100	360	180	19.00	BBB10TE1FTT	19.00	BBB10TE1FTT				
125	80	400	190	23.00	BBB12TE1ETT	23.00	BBB12TE1ETT				
125	100	400	195	23.80	BBB12TE1FTT	23.80	BBB12TE1FTT				
125	125	400	200	25.00	BBB12TE1GTT	25.00	BBB12TE1GTT				
150	50	444	213	30.50	BBB15TE1BTT	30.50	BBB15TE1BTT				
150	80	440	205	28.50	BBB15TE1ETT	28.50	BBB15TE1ETT	30.50	BBB15TE3ETT	30.50	BBB15TE3ETT
150	100	440	210	29.50	BBB15TE1FTT	29.50	BBB15TE1FTT	32.00	BBB15TE3FTT	32.00	BBB15TE3FTT
150	125	440	215	31.00	BBB15TE1GTT	31.00	BBB15TE1GTT				
150	150	440	220	32.50	BBB15TE1JTT	32.50	BBB15TE1JTT				
200	80	520	235	44.30	BBB20TE1ETT	42.00	BBB20TE2ETT	37.00	BBB20TE3ETT		
200	100	520	240	43.00	BBB20TE1FTT	42.50	BBB20TE2FTT				
200	150	520	250	46.00	BBB20TE1JTT	48.00	BBB20TE2JTT				
200	200	520	260	49.50	BBB20TE1KTT	49.10	BBB20TE2KTT	53.00	BBB20TE3KTT		
250	80	700	265	67.50	BBB25TE1ETT	66.50	BBB25TE2ETT				
250	100	700	275	67.00	BBB25TE1FTT	67.00	BBB25TE2FTT	75.00	BBB25TE3FTT		
250	150	700	300	72.00	BBB25TE1JTT	72.00	BBB25TE2JTT	62.20	BBB25TE3JTT		

DN (mm)	Ødn (mm)	Lu (mm)	Hu (mm)	PN 10		PN 16		PN 25		PN 40	
				Mass (kg)	References	Mass (kg)	References	Mass (kg)	References	Mass (kg)	References
250	200	700	325	73.00	BBB25TE1KTT	73.00	BBB25TE2KTT				
250	250	700	350	94.00	BBB25TE1LTT	80.00	BBB25TE2LTT	92.70	BBB25TE3LTT		
300	80	800	290	93.50	BBB30TE1ETT	93.00	BBB30TE2ETT				
300	100	800	300	94.00	BBB30TE1FTT	93.00	BBB30TE2FTT	158.00	BBB30TE3FTT		
300	150	800	325	98.00	BBB30TE1JTT	100.00	BBB30TE2JTT				
300	200	800	350	103.00	BBB30TE1KTT	103.00	BBB30TE2KTT	89.60	BBB30TE3KTT		
300	250	800	380	109.00	BBB30TE1LTT	108.00	BBB30TE2LTT				
300	300	800	400	127.00	BBB30TE1MTT	115.00	BBB30TE2MTT	101.90	BBB30TE3MTT		
350	80	850	325			120.00	BBB35TE2ETT				
350	100	850	325	116.00	BBB35TE1FTT	122.00	BBB35TE2FTT	135.00	BBB35TE3FTT		
350	150	850	325	119.00	BBB35TE1JTT	123.00	BBB35TE2JTT				
350	200	850	325	121.00	BBB35TE1KTT	141.50	BBB35TE2KTT				
350	250	850	325	128.00	BBB35TE1LTT	132.00	BBB35TE2LTT				
350	300	850	425			144.00	BBB35TE2MTT	193.30	BBB35TE3MTT		
350	350	850	425			153.00	BBB35TE2YTT	200.00	BBB35TE3YTT		
400	80	900	350	144.00	BBB40TE1ETT	152.00	BBB40TE2ETT				
400	100	900	350	145.00	BBB40TE1FTT	150.00	BBB40TE2FTT	172.00	BBB40TE3FTT		
400	150	900	350	181.00	BBB40TE1JTT	155.00	BBB40TE2JTT	178.10	BBB40TE3JTT		
400	200	900	350	156.00	BBB40TE1KTT	158.00	BBB40TE2KTT	213.80	BBB40TE3KTT		
400	250	900	350	154.00	BBB40TE1LTT	161.00	BBB40TE2LTT				
400	300	900	450	186.00	BBB40TE1MTT	177.00	BBB40TE2MTT				
400	350	900	450	170.00	BBB40TE1YTT	201.50	BBB40TE2YTT				
400	400	900	450	157.60	BBB40TE1NTT	173.20	BBB40TE2NTT				
450	80	950	375			210.00	BBB45TE2ETT				
450	100	950	375			188.00	BBB45TE2FTT				
450	150	950	375			190.00	BBB45TE2JTT				
450	200	950	375			193.00	BBB45TE2KTT				
450	250	950	375			197.00	BBB45TE2LTT				
450	300	950	475			213.00	BBB45TE2MTT				
450	400	950	475			229.00	BBB45TE2NTT				
450	450	950	475			237.00	BBB45TE2PTT				
500	100	1000	400	213.00	BBB50TE1FTT	272.00	BBB50TE2FTT				
500	150	1000	400	240.00	BBB50TE1JTT	241.00	BBB50TE2JTT			352.00	BBB50TE4JTT

DN (mm)	Ødn (mm)	Lu (mm)	Hu (mm)	PN 10		PN 16		PN 25		PN 40	
				Mass (kg)	References	Mass (kg)	References	Mass (kg)	References	Mass (kg)	References
500	200	1000	400	244.00	BBB50TE1KTT	246.00	BBB50TE2KTT			190.00	BBB50TE4KTT
500	250	1000	400	222.00	BBB50TE1LTT	274.00	BBB50TE2LTT			360.00	BBB50TE4LTT
500	300	1000	500	235.00	BBB50TE1MTT	290.00	BBB50TE2MTT			382.00	BBB50TE4MTT
500	350	1000	500	342.00	BBB50TE1YTT	345.00	BBB50TE2YTT				
500	400	1000	500	244.00	BBB50TE1NTT	316.00	BBB50TE2NTT			403.00	BBB50TE4NTT
500	450	1000	500			359.00	BBB50TE2PTT				
500	500	1000	500	327.00	BBB50TE1QTT	298.00	BBB50TE2QTT	328.00	BBB50TE3QTT		
600	80	1100	450	304.00	BBB60TE1ETT	353.00	BBB60TE2ETT				
600	100	1100	450	304.00	BBB60TE1FTT	330.00	BBB60TE2FTT				
600	150	1100	450	268.00	BBB60TE1JTT	322.00	BBB60TE2JTT				
600	200	1100	450	350.00	BBB60TE1KTT	412.00	BBB60TE2KTT				
600	250	1100	450	274.00	BBB60TE1LTT	417.00	BBB60TE2LTT				
600	300	1100	550	326.00	BBB60TE1MTT	417.00	BBB60TE2MTT				
600	350	1100	550			366.00	BBB60TE2YTT				
600	400	1100	550	360.00	BBB60TE1NTT	436.00	BBB60TE2NTT				
600	450	1100	550			404.00	BBB60TE2PTT				
600	500	1100	550	395.00	BBB60TE1QTT	380.00	BBB60TE2QTT				
600	600	1100	550	348.00	BBB60TE1RTT	454.00	BBB60TE2RTT				
700	700	1200	600	510.00	BBB70TE1STT	536.00	BBB70TE2STT	619.00	BBB70TE3STT		
800	150	690	580			391.00	BBB80TE2JTT				
800	800	1350	675	700.00	BBB80TE1TTT	734.00	BBB80TE2TTT	858.00	BBB80TE3TTT		
900	900	1500	750	907.00	BBB90TE1UTT	940.00	BBB90TE2UTT	1083.00	BBB90TE3UTT		
1000	1000	1650	830	1194.00	BBC10TE1VTT	1260.00	BBC10TE2VTT	1450.00	BBC10TE3VTT		
1100	800	1578	915	1526.00	BBC11TE1TTT						
1100	1100	1578	907	1724.00	BBC11TE1ATT						
1200	600	1250	885			1295.00	BBC12TE2RTT				
1200	700	1470	900	1586.00	BBC12TE1STT	1691.00	BBC12TE2STT				
1200	800	1470	915	1602.00	BBC12TE1TTT	1762.00	BBC12TE2TTT	1947.00	BBC12TE3TTT		
1200	900	1700	930	1674.00	BBC12TE1UTT	1636.00	BBC12TE2UTT				
1200	1000	1700	945	1577.00	BBC12TE1VTT	1686.00	BBC12TE2VTT	1930.00	BBC12TE3VTT		
1200	1200	1900	950	1810.00	BBC12TE1BTT	1979.00	BBC12TE2BTT	2190.00	BBC12TE3BTT		
1400	250	1530	1000	1511.00	BBC14TE1LTT						
1400	800	2470	1010	2510.00	BBC14TE1TTT	2610.00	BBC14TE2TTT				

DN (mm)	Ødn (mm)	Lu (mm)	Hu (mm)	PN 10		PN 16		PN 25		PN 40	
				Mass (kg)	References	Mass (kg)	References	Mass (kg)	References	Mass (kg)	References
1400	1000	2470	1040	2535.00	BBC14TE1VTT	2612.00	BBC14TE2VTT	2948.00	BBC14TE3VTT		
1400	1200	2470	1070			2614.00	BBC14TE2BTT				
1400	1400	2470	1100	2676.00	BBC14TE1CTT	2833.00	BBC14TE2CTT				
1500	800	2470	1010	2574.00	BBC15TE1TTT						
1500	1500	2470	1100			3093.00	BBC15TE2DTT				
1600	1600	2730	1240			3921.00	BBC16TE2ETT	4900.00	BBC16TE3ETT		
1800	900	1885	1245	3700.00	BBC18TE1UTT	3700.00	BBC18TE2UTT				
2000	1000	2170	1370	4850.00	BBC20TE1VTT						

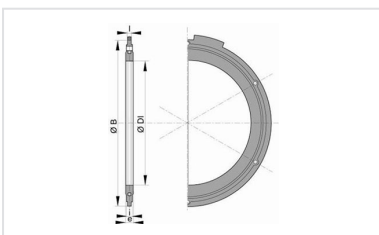
### Field of use:

- For drinking water networks

### Main characteristics:

- External and internal coating : Blue epoxy powder 250 microns average thickness with a minimum of 200 microns, conforming to EN 14901 (PECB)
- In conformity with EN 545:2010 and ISO 2531:2009

### Linked products



Flanged joint with hot galvanized steel bolts, nuts and washers

*The information on this sketch is, to the best of our knowledge correct at the time of printing. However Saint-Gobain are constantly looking at ways of improving their products and services therefore reserve the right to change without prior notice, any of the data shown. Any orders placed will be subject to our Standard Conditions of Sale, available on request.*