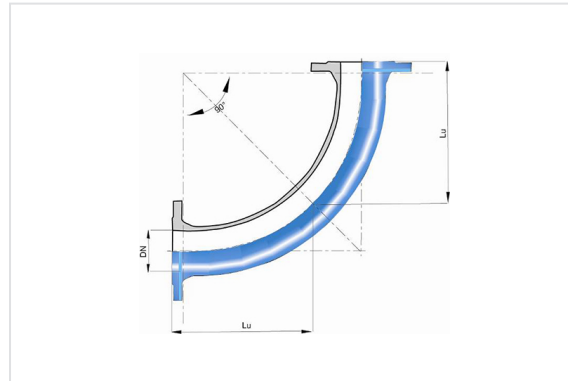


Long radius Bend 90° (1/4) (PECB) with 2 Fixed Flanges



Angle	DN (mm)	Lu (mm)	PN 10		PN 16		PN 25	
			Mass (kg)	References	Mass (kg)	References	Mass (kg)	References
90°	80	380	13.80	BBA80CH10TT	13.80	BBA80CH10TT	13.80	BBA80CH10TT
90°	100	400	18.00	BBB10CH10TT	18.00	BBB10CH10TT		
90°	150	450	30.00	BBB15CH10TT	30.00	BBB15CH10TT		
90°	200	500			45.50	BBB20CH20TT		
90°	250	550			65.00	BBB25CH20TT		
90°	300	600			108.00	BBB30CH20TT		
90°	350	650			153.00	BBB35CH20TT		
90°	400	700			157.00	BBB40CH20TT		
90°	450	750			197.00	BBB45CH20TT		
90°	500	800			252.00	BBB50CH20TT		
90°	600	900			379.00	BBB60CH20TT		

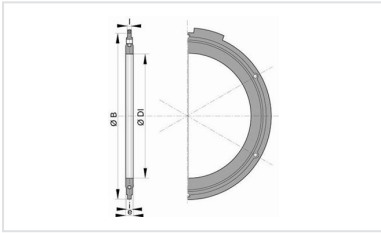
Field of use:

- For drinking water networks

Main characteristics:

- External and internal coating : Blue epoxy powder 250 microns average thickness with a minimum of 200 microns, conforming to EN 14901 (PECB)
- In conformity with EN 545:2010 and ISO 2531:2009

Linked products



Flanged joint with hot
galvanized steel bolts, nuts
and washers

The information on this sketch is, to the best of our knowledge correct at the time of printing. However Saint-Gobain are constantly looking at ways of improving their products and services therefore reserve the right to change without prior notice, any of the data shown. Any orders placed will be subject to our Standard Conditions of Sale, available on request.