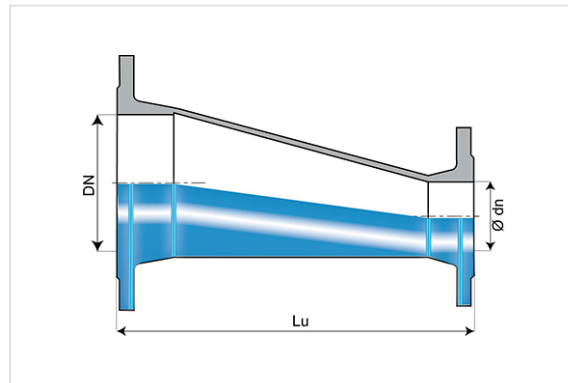


Flat Taper (PECB) with 2 Fixed Flanges



DN (mm)	Ødn (mm)	Lu (mm)	PN 10		PN 16		PN 25		PN 40	
			Mass (kg)	References	Mass (kg)	References	Mass (kg)	References	Mass (kg)	References
150	100	300	15.00 kg	BBB15VT1FTT	15.00 kg	BBB15VT1FTT	25.00 kg	BBB15VT3FTT	25.00 kg	BBB15VT3FTT
200	150	300	22.00 kg	BBB20VT1JTT						
200	80	600			25.50 kg	BBB20VT2ETT				
250	150	600			38.00 kg	BBB25VT2JTT				
250	200	300			30.40 kg	BBB25VT2KTT				
300	150	600			48.00 kg	BBB30VT2JTT				
300	200	600			51.00 kg	BBB30VT2KTT				
300	250	300			39.50 kg	BBB30VT2LTT				
350	200	600			62.60 kg	BBB35VT2KTT				
350	250	600			67.00 kg	BBB35VT2LTT				
350	300	300			52.00 kg	BBB35VT2MTT				
400	200	600			71.00 kg	BBB40VT2KTT				
400	250	600			80.00 kg	BBB40VT2LTT				
400	300	600			84.00 kg	BBB40VT2MTT				
400	350	300			67.00 kg	BBB40VT2YTT				
600	500	600			276.00 kg	BBB60VT2QTT				

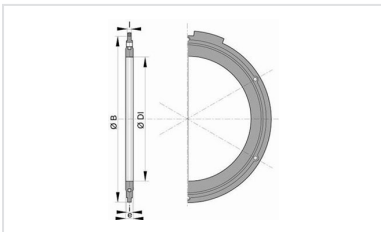
Field of use:

- For drinking water networks

Main characteristics:

- External and internal coating : Blue epoxy powder 250 microns average thickness with a minimum of 200 microns, conforming to EN 14901 (PECB)
- In conformity with EN 545:2010 and ISO 2531:2009

Linked products



Flanged joint with hot
galvanized steel bolts, nuts
and washers

The information on this sketch is, to the best of our knowledge correct at the time of printing. However Saint-Gobain are constantly looking at ways of improving their products and services therefore reserve the right to change without prior notice, any of the data shown. Any orders placed will be subject to our Standard Conditions of Sale, available on request.