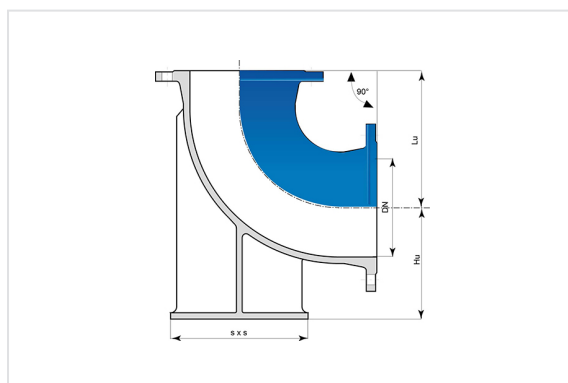


Duckfoot Bend 90° (1/4) (PECB) with 2 Fixed Flanges



Angle	DN (mm)	Lu (mm)	Hu (mm)	PN 10		PN 16		PN 25	
				Mass (kg)	References	Mass (kg)	References	Mass (kg)	References
90°	80	165	110	14.10	BBA80CF10TT	14.10	BBA80CF10TT	14.10	BBA80CF10TT
90°	100	180	125	18.00	BBB10CF10TT	18.00	BBB10CF10TT		
90°	125	200	140	24.00	BBB12CF10TT	24.00	BBB12CF10TT		
90°	150	220	160	31.50	BBB15CF10TT	31.50	BBB15CF10TT		
90°	200	260	190	44.00	BBB20CF10TT	43.50	BBB20CF20TT		
90°	250	350	225	71.00	BBB25CF10TT	71.00	BBB25CF20TT		
90°	300	400	255	102.00	BBB30CF10TT	102.00	BBB30CF20TT		
90°	350	450	294	165.00	BBB35CF10TT	165.00	BBB35CF20TT		
90°	400	500	324	218.00	BBB40CF10TT	183.00	BBB40CF20TT	218.00	BBB40CF30TT
90°	450	550	355	275.00	BBB45CF10TT	289.00	BBB45CF20TT		
90°	500	600	389	349.00	BBB50CF10TT	373.00	BBB50CF20TT		
90°	600	700	455	525.00	BBB60CF10TT	569.00	BBB60CF20TT		
90°	700	800	520	730.00	BBB70CF10TT	746.00	BBB70CF20TT		
90°	800	900	590	1026.00	BBB80CF10TT	1003.00	BBB80CF20TT		
90°	900	1000	645			1751.00	BBB90CF20TT		
90°	1000	1100	710	2365.00	BBC10CF10TT	2303.00	BBC10CF20TT		
90°	1200	1355	840	4073.00	BBC12CF10TT	4146.00	BBC12CF20TT		

Field of use:

- For drinking water networks

Main characteristics:

- External and internal coating : Blue epoxy powder 250 microns average thickness with a minimum of 200 microns, conforming to EN 14901 (PECB)
- In conformity with EN 545:2010 and ISO 2531:2009

Linked products



Flanged joint with hot galvanized steel bolts, nuts and washers

The information on this sketch is, to the best of our knowledge correct at the time of printing. However Saint-Gobain are constantly looking at ways of improving their products and services therefore reserve the right to change without prior notice, any of the data shown. Any orders placed will be subject to our Standard Conditions of Sale, available on request.