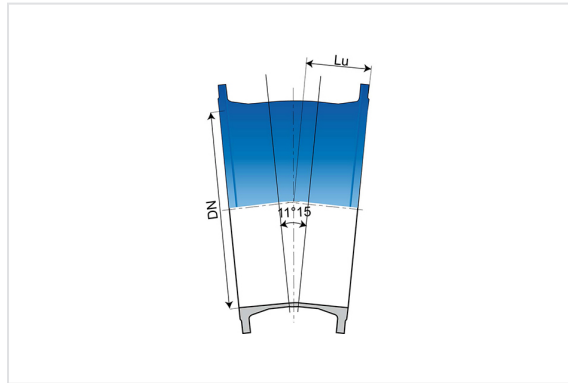


Bend 11°15 (1/32) (PECB) with 2 Fixed Flanges



Angle	DN (mm)	Lu (mm)	PN 10		PN 16		PN 25		PN 40	
			Mass (kg)	References	Mass (kg)	References	Mass (kg)	References	Mass (kg)	References
11°15	80	113	8.80	BBA80CE10TT	8.80	BBA80CE10TT	8.80	BBA80CE10TT	8.80	BBA80CE10TT
11°15	100	115	16.00	BBB10CE10TT	16.00	BBB10CE10TT				
11°15	150	113	19.00	BBB15CE10TT	19.00	BBB15CE10TT				
11°15	200	132	36.00	BBB20CE10TT	36.00	BBB20CE20TT				
11°15	250	165	50.00	BBB25CE10TT	49.00	BBB25CE20TT				
11°15	300	175	62.00	BBB30CE10TT	62.00	BBB30CE20TT	63.00	BBB30CE30TT		
11°15	350	190			74.00	BBB35CE20TT				
11°15	400	205	116.00	BBB40CE10TT	116.00	BBB40CE20TT				
11°15	450	349			135.00	BBB45CE20TT				
11°15	500	375	179.00	BBB50CE10TT	179.00	BBB50CE20TT	200.40	BBB50CE30TT	228.00	BBB50CE40TT
11°15	600	426			278.00	BBB60CE20TT	297.00	BBB60CE30TT		
11°15	700	230	227.00	BBB70CE10TT	223.00	BBB70CE20TT				
11°15	800	255	290.00	BBB80CE10TT	286.00	BBB80CE20TT	395.00	BBB80CE30TT		
11°15	900	280	368.00	BBB90CE10TT	363.00	BBB90CE20TT	485.00	BBB90CE30TT		
11°15	1000	310	488.00	BBC10CE10TT	482.00	BBC10CE20TT	659.00	BBC10CE30TT		
11°15	1200	346	745.00	BBC12CE10TT	858.00	BBC12CE20TT	1024.00	BBC12CE30TT		
11°15	1400	403	996.00	BBC14CE10TT						
11°15	1600	433			1530.00	BBC16CE20TT				
11°15	1800	463	1990.00	BBC18CE10TT						
11°15	2000	495	2323.00	BBC20CE10TT						

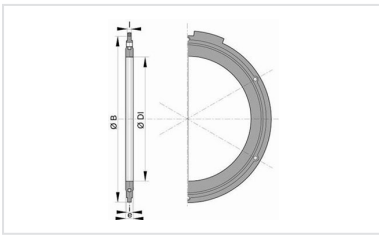
Field of use:

- For drinking water networks

Main characteristics:

- External and internal coating : Blue epoxy powder 250 microns average thickness with a minimum of 200 microns, conforming to EN 14901 (PECB)
- In conformity with EN 545:2010 and ISO 2531:2009

Linked products



Flanged joint with hot galvanized steel bolts, nuts and washers

The information on this sketch is, to the best of our knowledge correct at the time of printing. However Saint-Gobain are constantly looking at ways of improving their products and services therefore reserve the right to change without prior notice, any of the data shown. Any orders placed will be subject to our Standard Conditions of Sale, available on request.