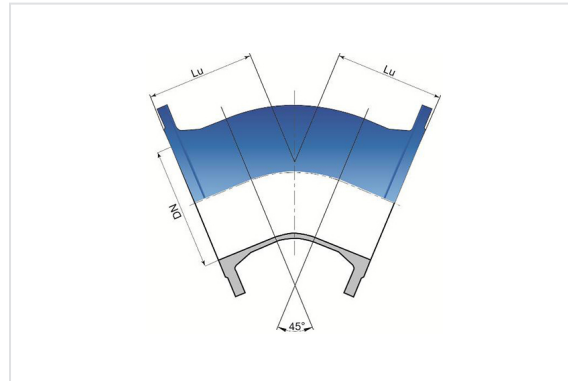


Bend 45° (1/8) (PECB) with 2 Fixed Flanges



Angle	DN (mm)	Lu (mm)	PN 10		PN 16		PN 25		PN 40	
			Mass (kg)	References	Mass (kg)	References	Mass (kg)	References	Mass (kg)	References
45°	80	130	10.80	BBA80CB10TT	10.80	BBA80CB10TT	10.80	BBA80CB10TT	10.80	BBA80CB10TT
45°	100	140	12.00	BBB10CB10TT	12.00	BBB10CB10TT	11.50	BBB10CB30TT	11.50	BBB10CB30TT
45°	125	150	14.60	BBB12CB10TT	14.60	BBB12CB10TT				
45°	150	160	19.70	BBB15CB10TT	19.70	BBB15CB10TT	20.50	BBB15CB30TT	20.50	BBB15CB30TT
45°	200	180	29.50	BBB20CB10TT	29.50	BBB20CB20TT	30.00	BBB20CB30TT		
45°	250	350	54.50	BBB25CB10TT	54.00	BBB25CB20TT	86.00	BBB25CB30TT		
45°	300	400	80.50	BBB30CB10TT	80.50	BBB30CB20TT	87.20	BBB30CB30TT		
45°	350	298	96.00	BBB35CB10TT	82.00	BBB35CB20TT				
45°	400	326	94.00	BBB40CB10TT	102.00	BBB40CB20TT	103.00	BBB40CB30TT		
45°	450	350			132.00	BBB45CB20TT				
45°	500	375	145.00	BBB50CB10TT	174.00	BBB50CB20TT				
45°	600	426	212.00	BBB60CB10TT	264.00	BBB60CB20TT	292.40	BBB60CB30TT	397.00	BBB60CB40TT
45°	700	478	341.00	BBB70CB10TT	338.00	BBB70CB20TT	414.00	BBB70CB30TT		
45°	800	529	452.00	BBB80CB10TT	458.00	BBB80CB20TT				
45°	900	581	587.00	BBB90CB10TT	587.00	BBB90CB20TT				
45°	1000	632	777.00	BBC10CB10TT	771.00	BBC10CB20TT				
45°	1200	746	1116.00	BBC12CB10TT	1171.00	BBC12CB20TT	1367.00	BBC12CB30TT		
45°	1400	782	1667.00	BBC14CB10TT	1772.00	BBC14CB20TT				
45°	1500	782			1950.00	BBC15CB20TT				
45°	1600	843	2279.00	BBC16CB10TT	2446.00	BBC16CB20TT				
45°	1800	905	3574.00	BBC18CB10TT						

Angle	DN (mm)	Lu (mm)	PN 10		PN 16		PN 25		PN 40	
			Mass (kg)	References	Mass (kg)	References	Mass (kg)	References	Mass (kg)	References
45°	2000	980	3574.00	BBC20CB10TT						

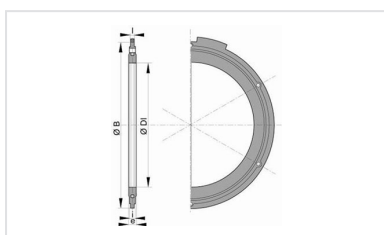
Field of use:

- For drinking water networks

Main characteristics:

- External and internal coating : Blue epoxy powder 250 microns average thickness with a minimum of 200 microns, conforming to EN 14901 (PECB)
- In conformity with EN 545:2010 and ISO 2531:2009

Linked products



Flanged joint with hot galvanized steel bolts, nuts and washers

The information on this sketch is, to the best of our knowledge correct at the time of printing. However Saint-Gobain are constantly looking at ways of improving their products and services therefore reserve the right to change without prior notice, any of the data shown. Any orders placed will be subject to our Standard Conditions of Sale, available on request.