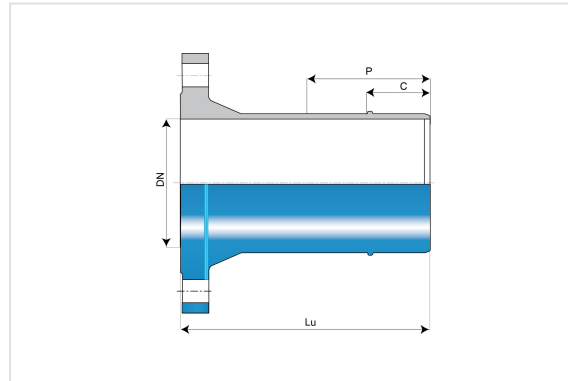


Flange Spigot (PECB) with Fixed Flange + Weld bead Ve



DN	Lu (mm)	P (mm)	Bead position c (mm)	PN 10		PN 16		PN 25		PN 40	
				Mass (kg)	References	Mass (kg)	References	Mass (kg)	References	Mass (kg)	References
350	460	260	115			60.00	SSB35BV20TT2				
400	480	270	113	83.00	BBB40BV10TT	85.00	BBB40BV20TT	100.00	BBB40BV30TT		
450	500	280	120			109.00	BBB45BV20TT			140.00	BBB45BV40TT
500	520	290	125	102.00	BBB50BV10TT	117.00	BBB50BV20TT	126.00	BBB50BV30TT		
600	560	310	135	137.80	BBB60BV10TT	166.40	BBB60BV20TT				

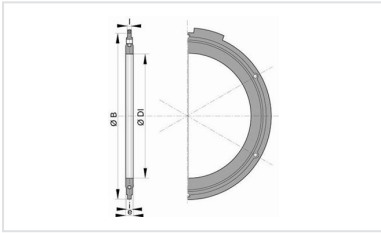
Field of use:

- For drinking water networks

Main characteristics:

- External and internal coating : Blue epoxy powder 250 microns average thickness with a minimum of 200 microns, conforming to EN 14901 (PECB)
- In conformity with EN 545:2010 and ISO 2531:2009

Linked products



Flanged joint with hot galvanized steel bolts, nuts and washers

The information on this sketch is, to the best of our knowledge correct at the time of printing. However Saint-Gobain are constantly looking at ways of improving their products and services therefore reserve the right to change without prior notice, any of the data shown. Any orders placed will be subject to our Standard Conditions of Sale, available on request.